



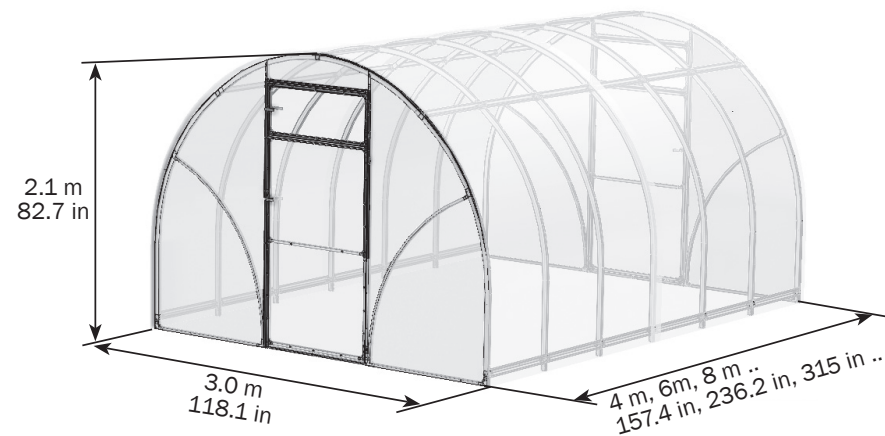
HARVESTLORD SERA SANAYI LIMITED SIRKETI
Visnezade Vahallesi Refik Osman Top Sokak № 8/7: Besiktas/Istanbul
+90 537 062 02 70
e-mail: Kab5teg@gmail.com

Dovozce pro ČR a SR
Inter Distribution s.r.o.
Hromnice 90,
330 11 Hromnice
web: www.interdistribution.cz
e-mail: info@interdistribution.cz



SIGMA

model 2022



Tato příručka nesmí být reprodukována v jakékoli formě, vcelku nebo zčásti bez písemného souhlasu HARVESTLORD SERA SANAYI LIMITED SIRKETI

Technický list

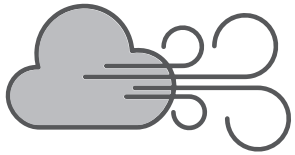
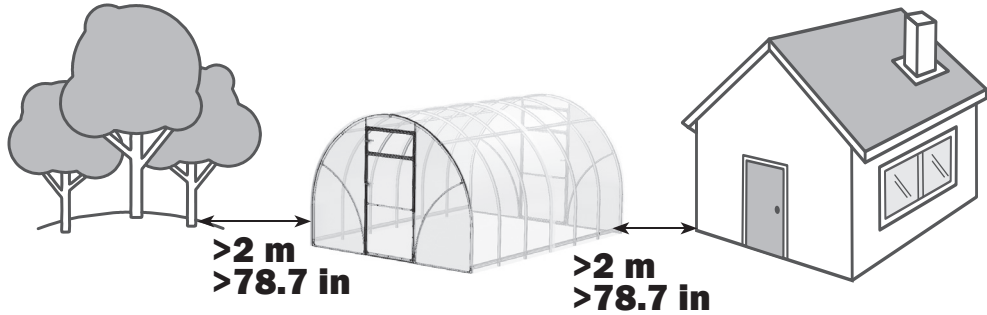
str. 2-12

CZ

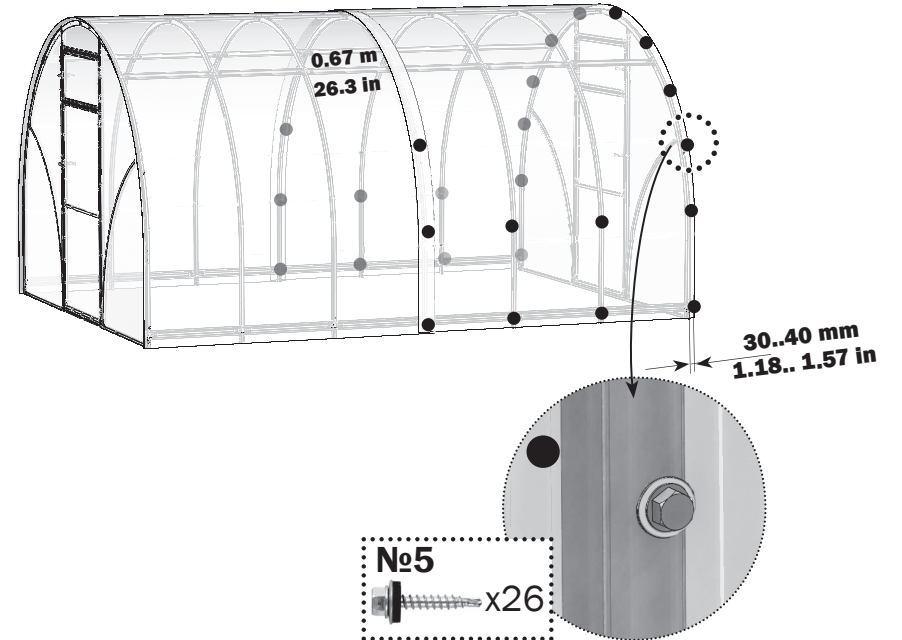
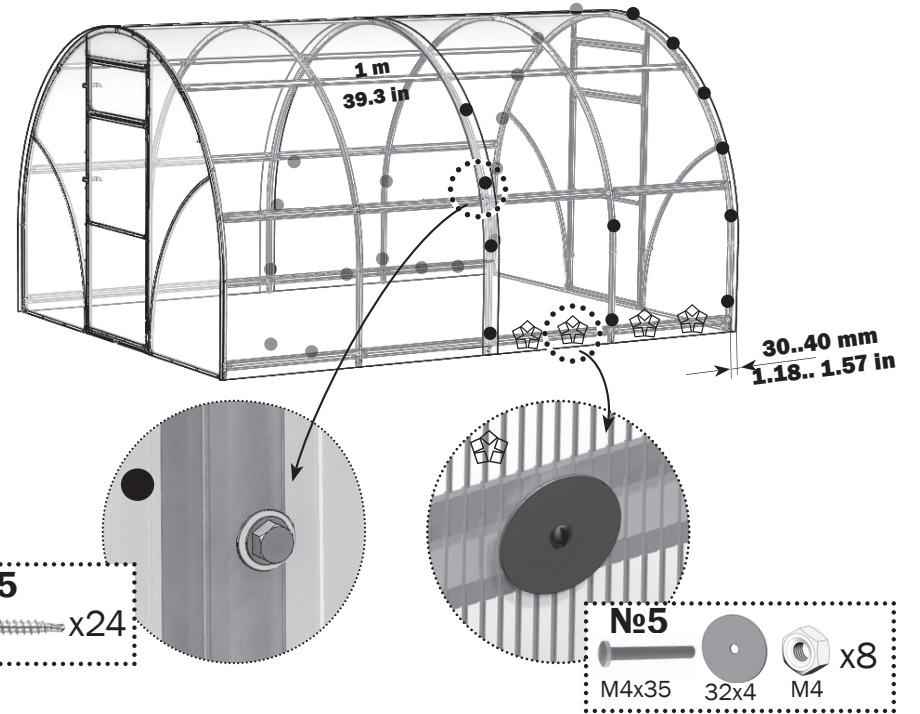
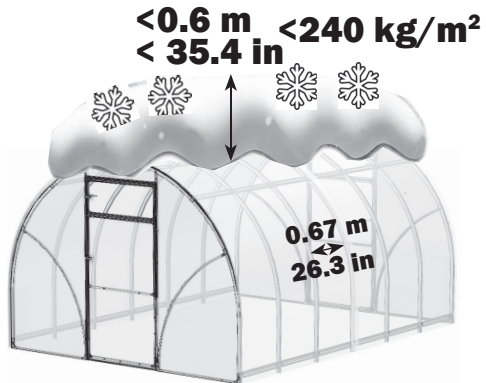
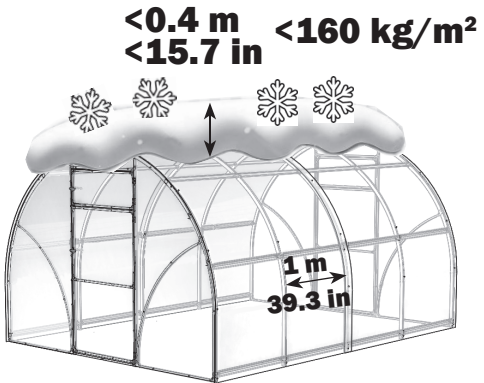
Montážní návod

str. 13-51

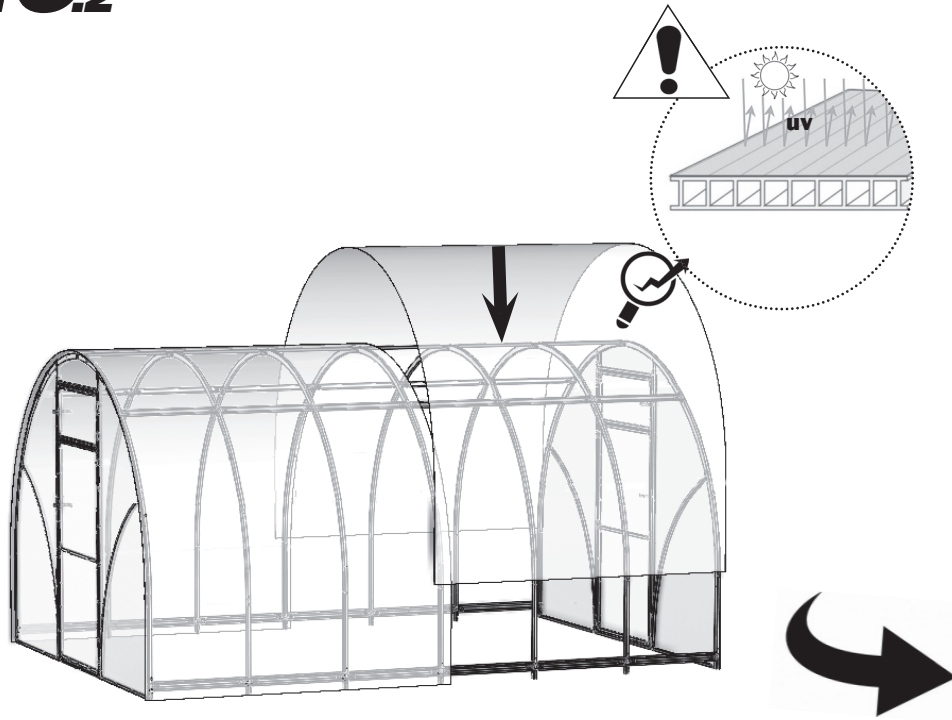
CZ



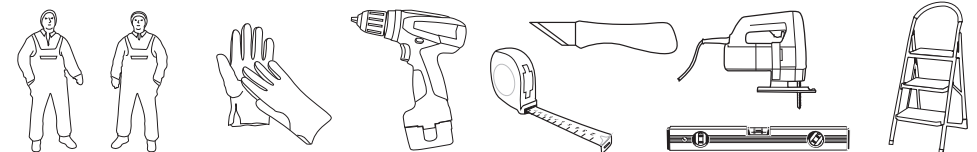
<24 m/s


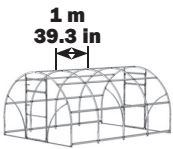
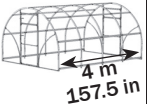
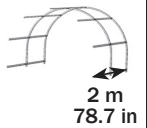
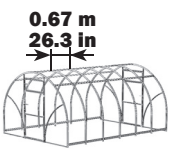
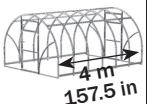
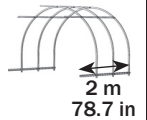


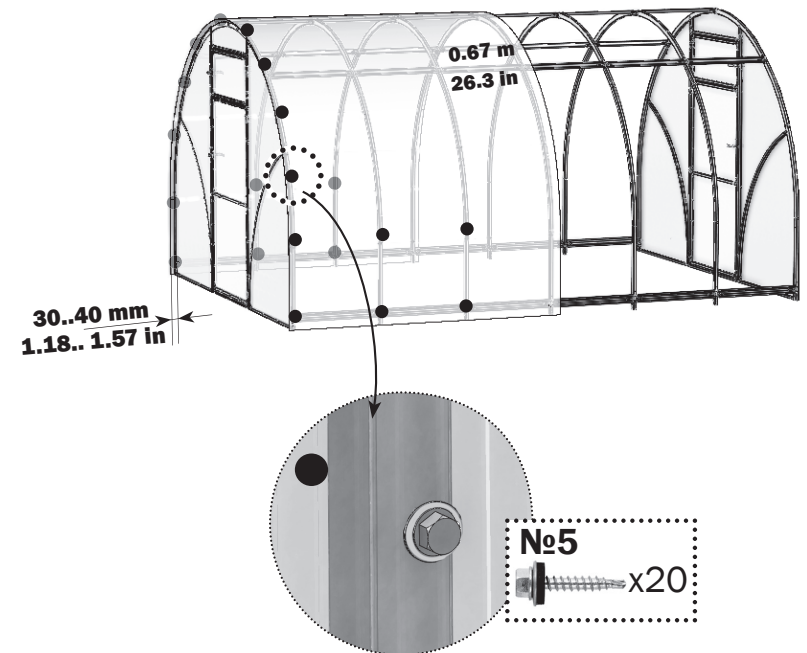
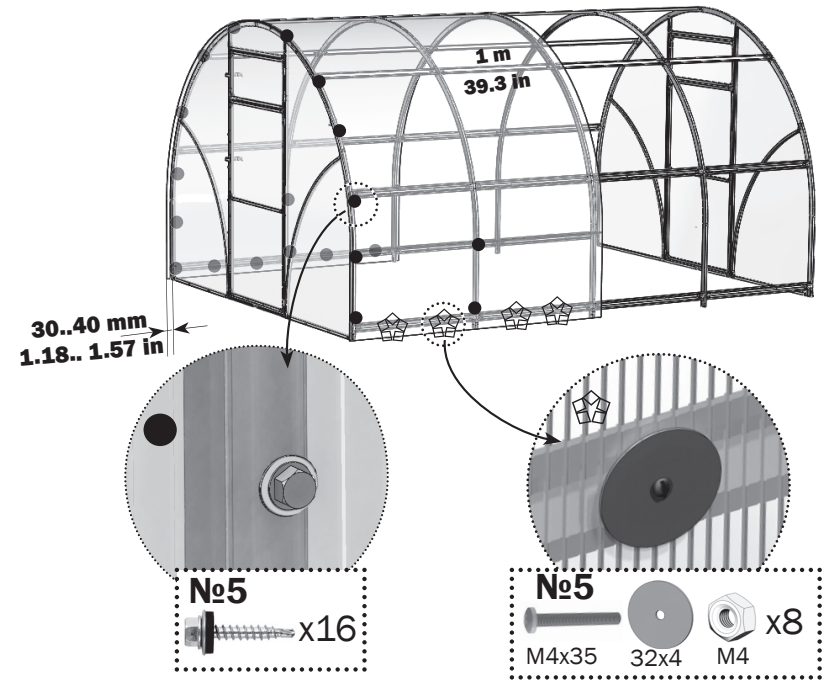
10.2



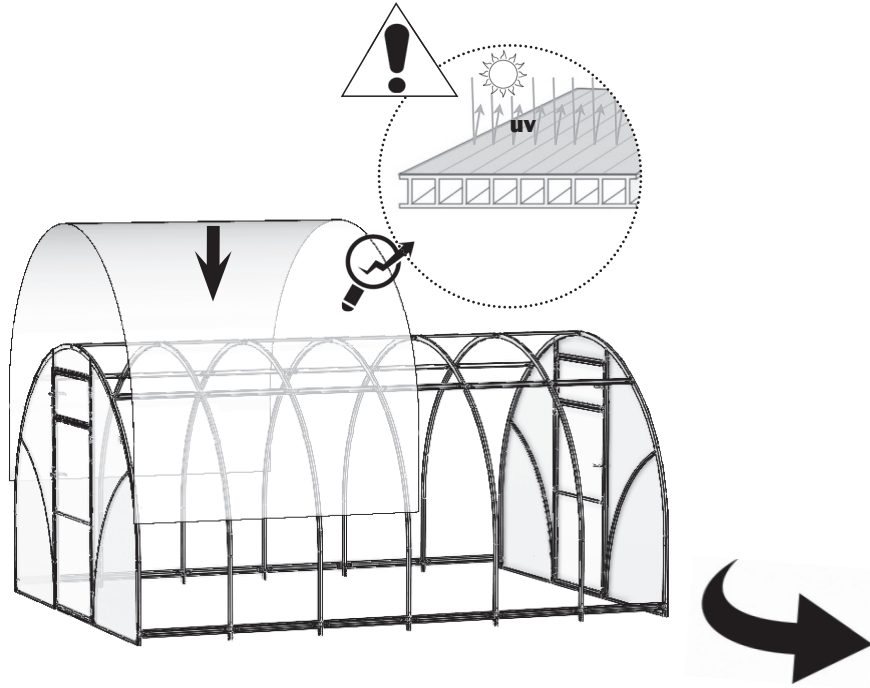
<p>L</p>	<p>2 m 78.7 in</p>	<p>4.6 mm 0.15... 0.23 in</p> <p>2.1 m 82.7 in</p> <p>6 m 236.2 in</p>
<p>4 m 157.5 in</p>	<p>0</p>	<p>x 3</p>
<p>6 m 236.2 in</p>	<p>x 1</p>	<p>x 4</p>
<p>8 m 315 in</p>	<p>x 2</p>	<p>x 5</p>
<p>10 m 393.7 in</p>	<p>x 3</p>	<p>x 6</p>
<p>12 m 472.4 in</p>	<p>x 4</p>	<p>x 7</p>
<p>14 m 551.1 in</p>	<p>x 5</p>	<p>x 8</p>
<p>16 m 630 in</p>	<p>x 6</p>	<p>x 9</p>
<p>18 m 708.6 in</p>	<p>x 7</p>	<p>x 10</p>
<p>20 m 787.4 in</p>	<p>x 8</p>	<p>x 11</p>



													
		No1 (2022) 1 m	No1 (2022) 0.67m	No2 (2021)	No3 (2021)	No4	No5 (2022) 1 m	No5 (2022) 0.67m	No6	No7 (2022) 1 m	No7 (2022) 0.67m	No8 (2022) 1 m	No8 (2022) 0.67m
		+	+	+	+	+							
									+	+			
			+	+	+	+		+	+				
						+					+		+

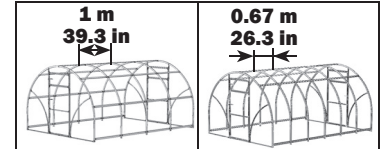
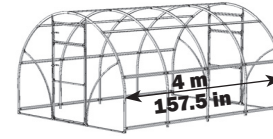
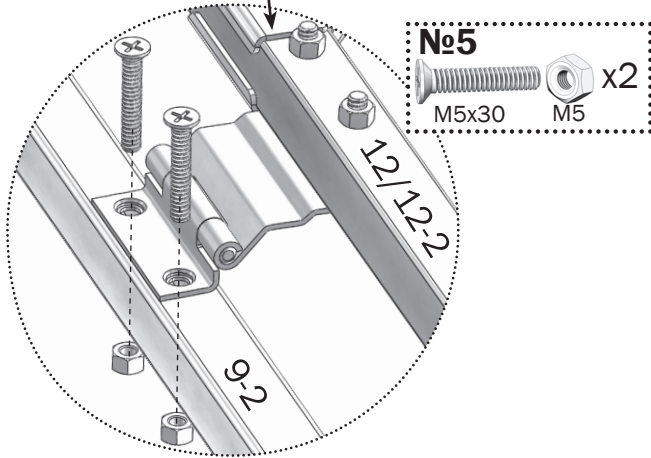
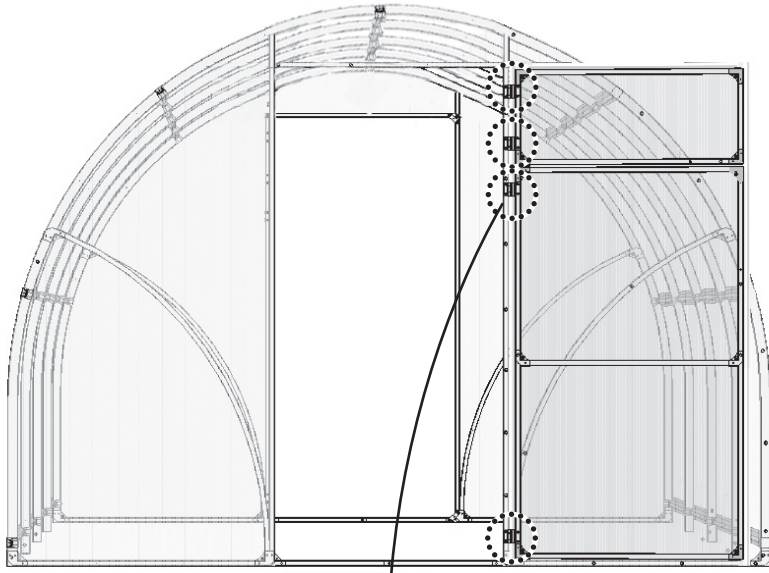


10.1

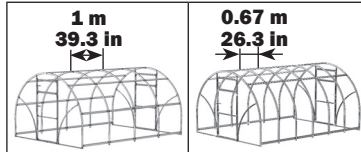
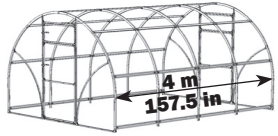


No9*	No10* 1m	No10* 0.67m	No11* 1m	No11* 0.67m	No12* 0.67m	No13* 0.67m
+	+					
			+			
+		+			+	
				+		+

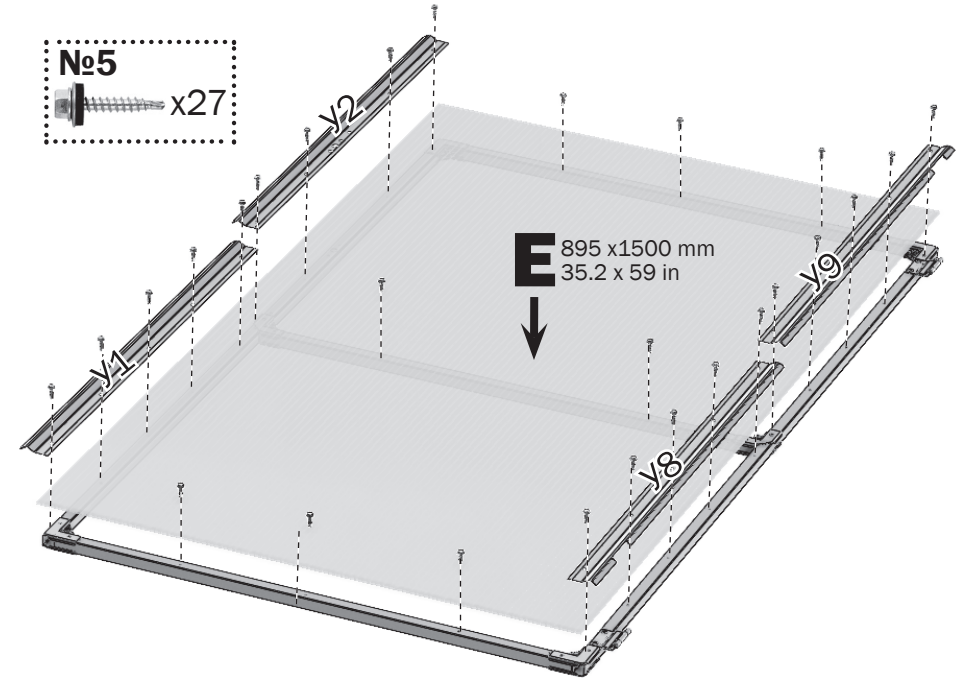
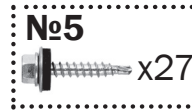
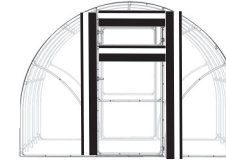
9.1



№ 4				
18	4B		1.9 m	x 3
19	4H		1.9 m	x 6
№ 5 (2022)				
20				x 21
21				x 21
22				x 14
23				x 12
24				x 12
25				x 4
26				x 24
27				x 32
28				x 8
29				x 4
30				x 4
31				x 1
32				x 4

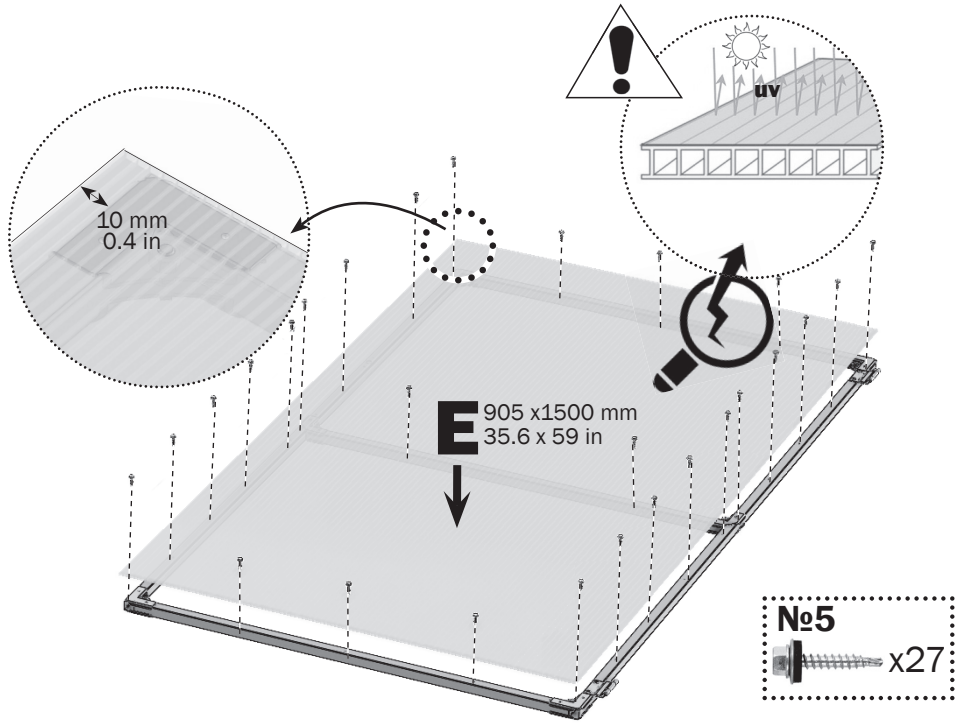


		0 inch 0 cm			
33	M4x12		x 56	x 60	
34	M4x35		x 16	-	
35	M5x30		x 34		
36	M6x16		x 40		
37	4.8x19		x 325	x 349	
38	M4		x 72	x 60	
39	M5		x 42		
40	M6		x 40		
41	10		x 16		
42	4x32		x 16	-	
№ 6					
43	4B		1.9 m	x 2	
44	4H		1.9 m	x 4	

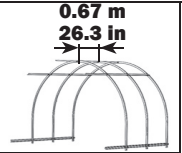
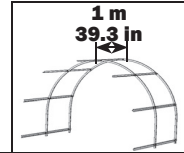


x2

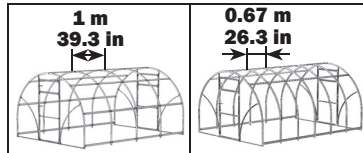
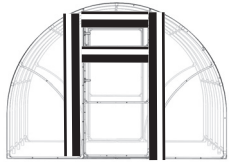
8.3



x2

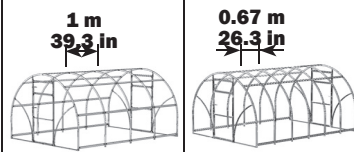
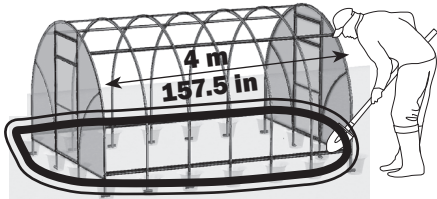


№7 (2022)					
45	2		0.98 m	x 14	-
			0.65 m	-	x 15
№8 (2021)					
46				x 14	x 15
47				x 14	x 15
48	M4x12			x 28	x 30
49	M4x35			x 8	-
50	4.8x19			x 38	x 55
51	M4			x 36	x 30
52				x 8	-



№ 9*

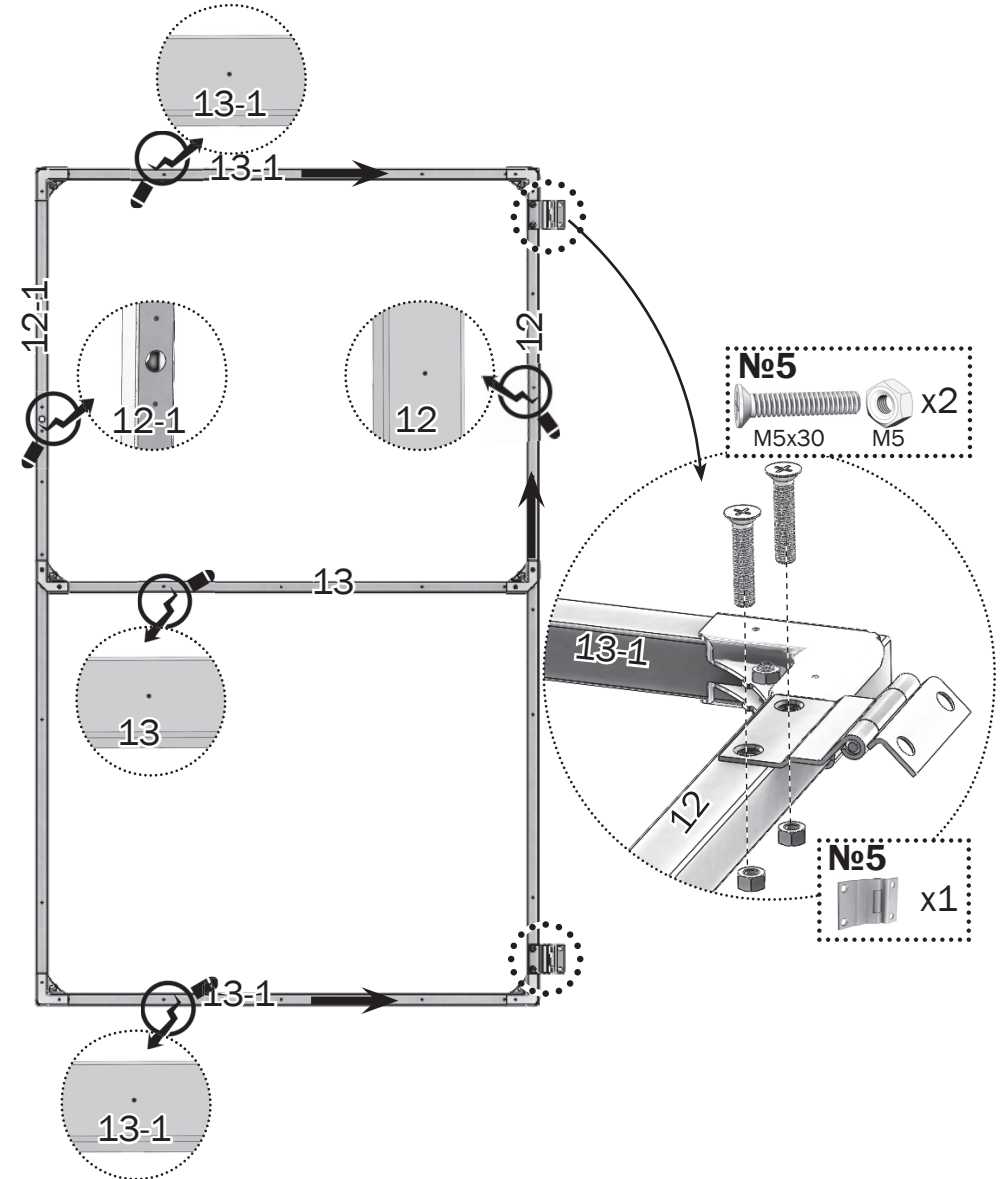
1	Y1		0.75 m	x 2
2	Y2		0.75 m	x 2
3	Y8		0.75 m	x 2
4	Y9		0.75 m	x 2
5	Y10		0.41 m	x 2
6	Y7		0.85 m	x 4
7	Y12		0.41 m	x 2



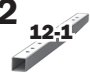
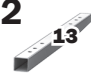

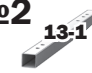
№ 10*

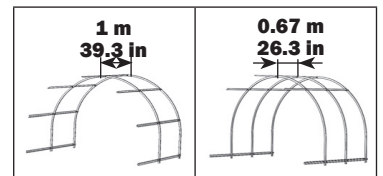
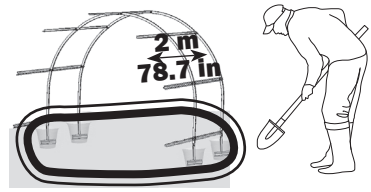
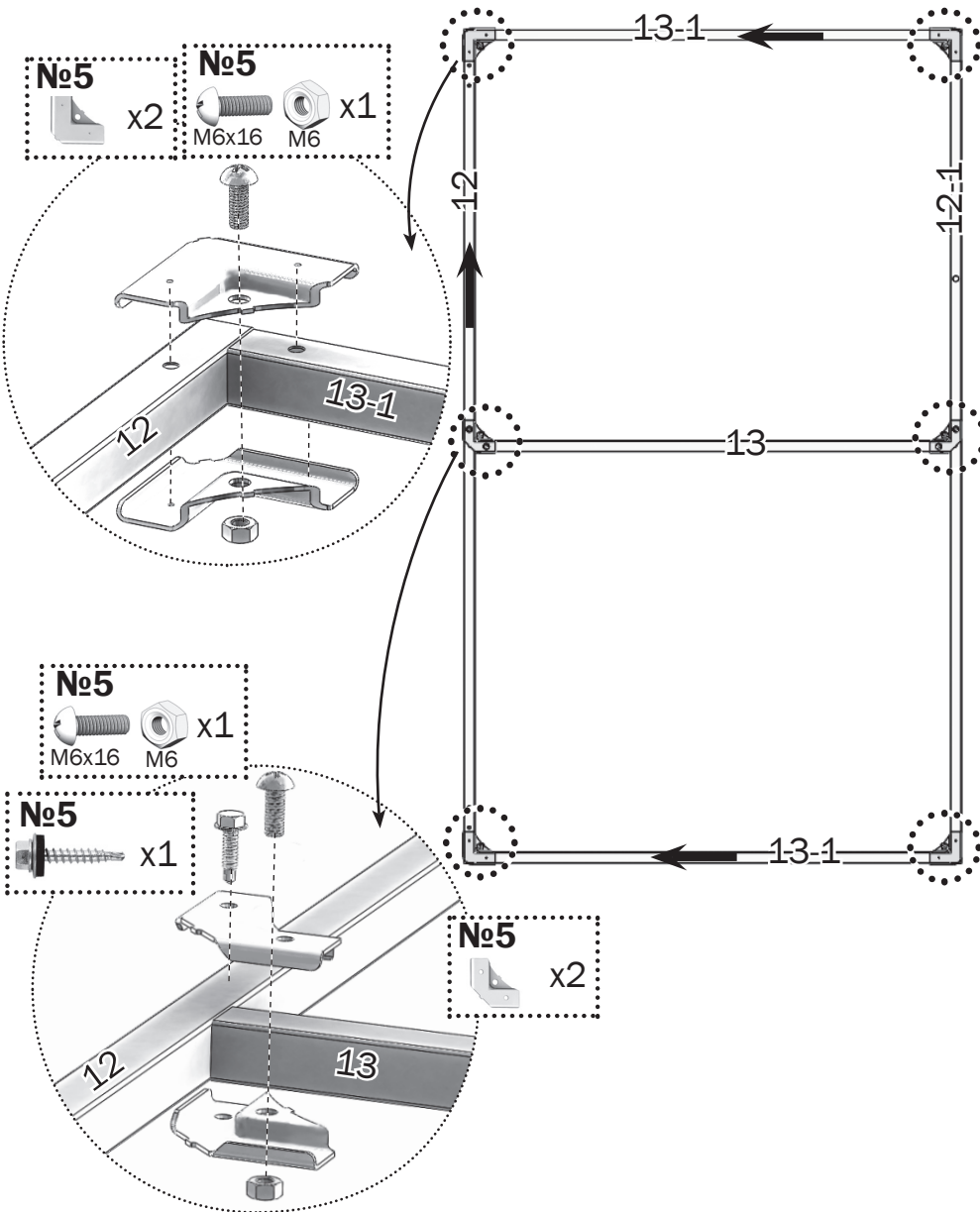
1	1		0.33 m	x 10	x 14
2	1-2		0.26 m	x 4	
3	3		0.2 m	x 14	x 18


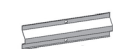
8.2

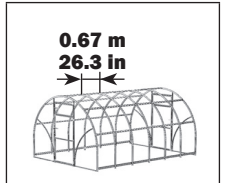
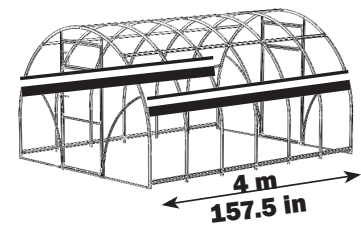










8.1

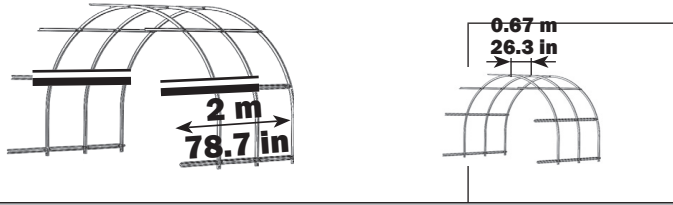
- No2**  x1
- No2**  x1
- No2**  x1
- No2**  x2



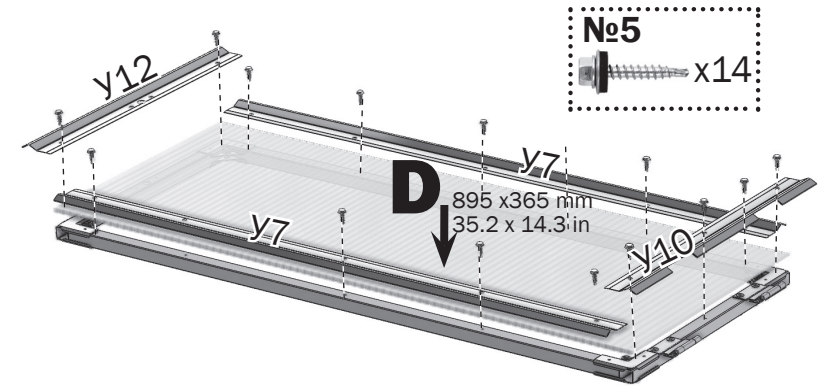
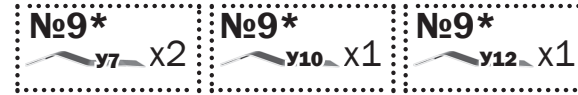
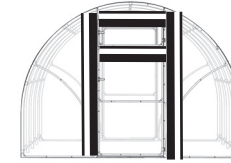
№11* (2 m)					
1	1		0.33 m	x 4	x 6
2	3		0.2 m	x 4	x 6



№12*			
1	2		x 12
2			x 4
3			x 10
4			x 10
			
5	M4x12		x 24
6	4.8x19		x 14
7	M4		x 24

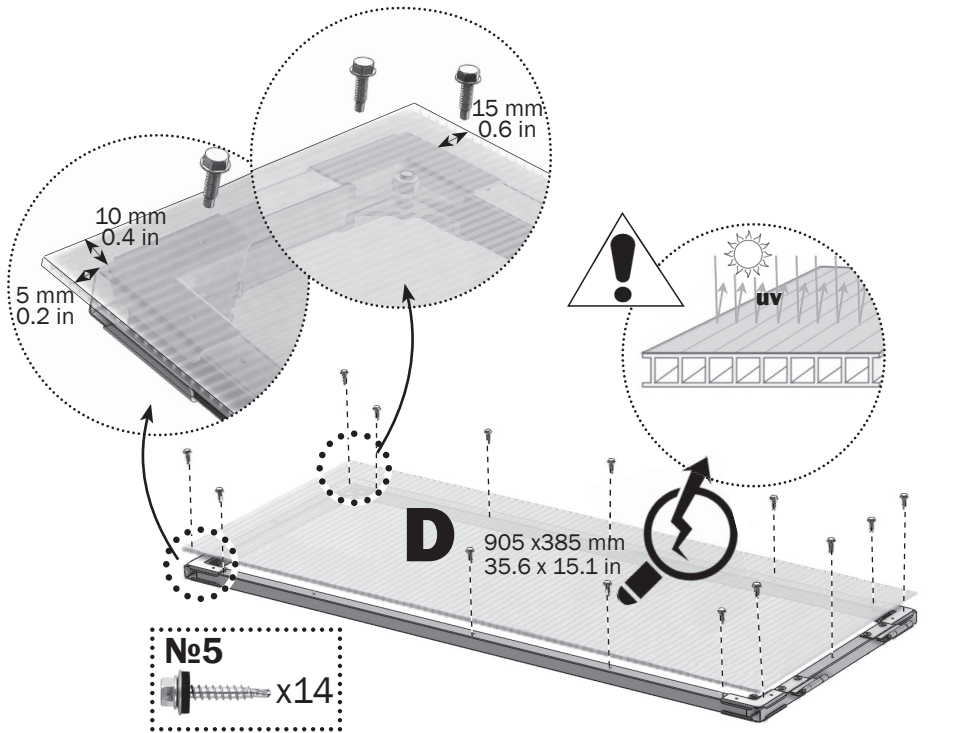


№13*			
1	2		x 6
2			x 6
3			x 6
4	M4x12		x 12
5	4.8x19		x 6
6	M4		x 12



x2

7.3



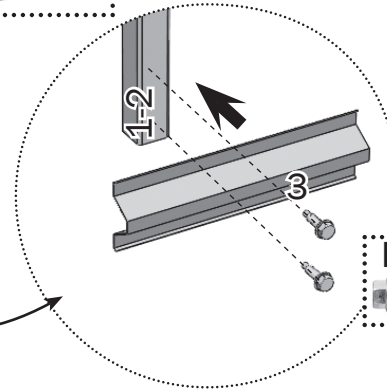
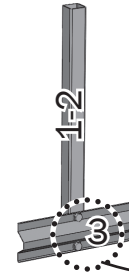
x2



*.1

No.10*
1-2 x1

No.10*
3 x1



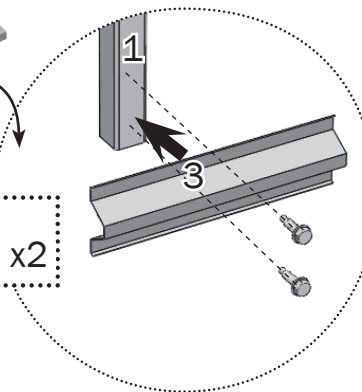
x4

No.5 x2

*.2

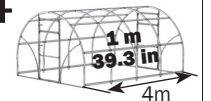
No.10*
1 x1

No.10*
3 x1

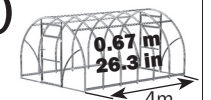


No.5 x2

x14

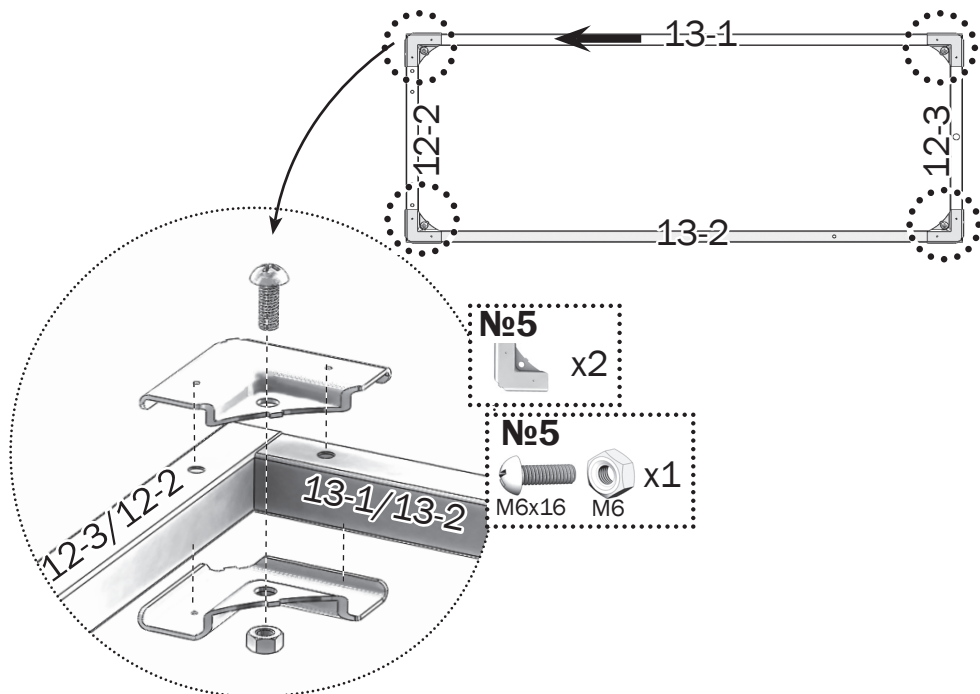


x10

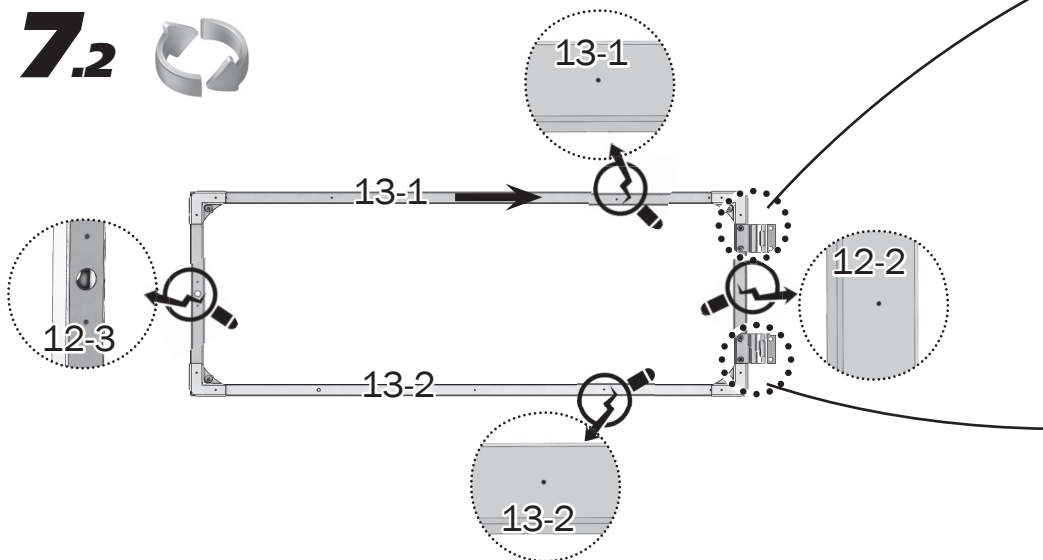


7.1

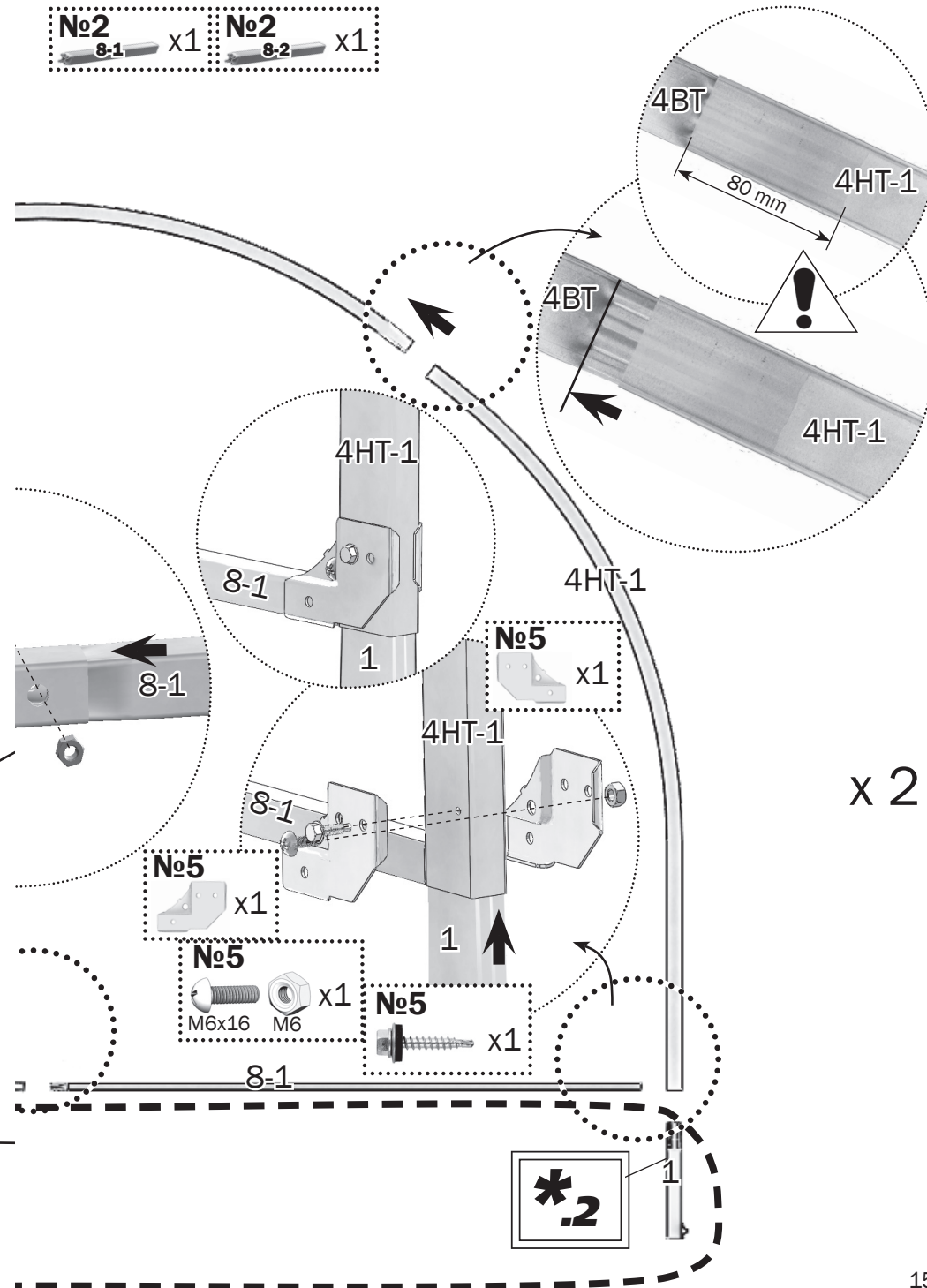
- No2 12-2 x1
- No2 13-2 x1
- No2 12-3 x1
- No2 13-1 x1

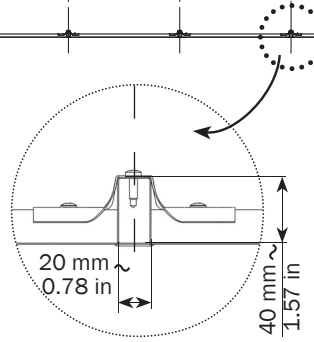
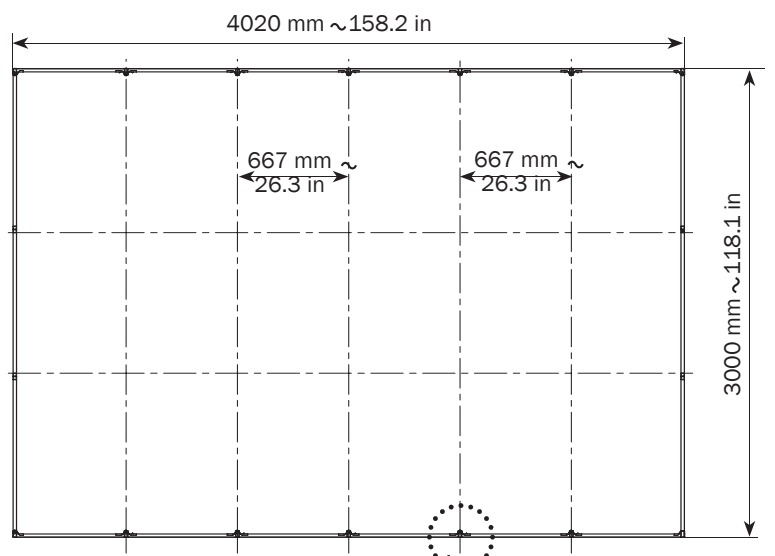
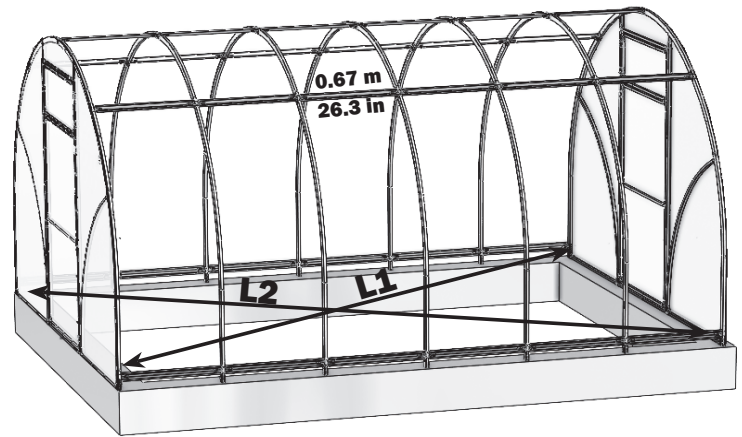
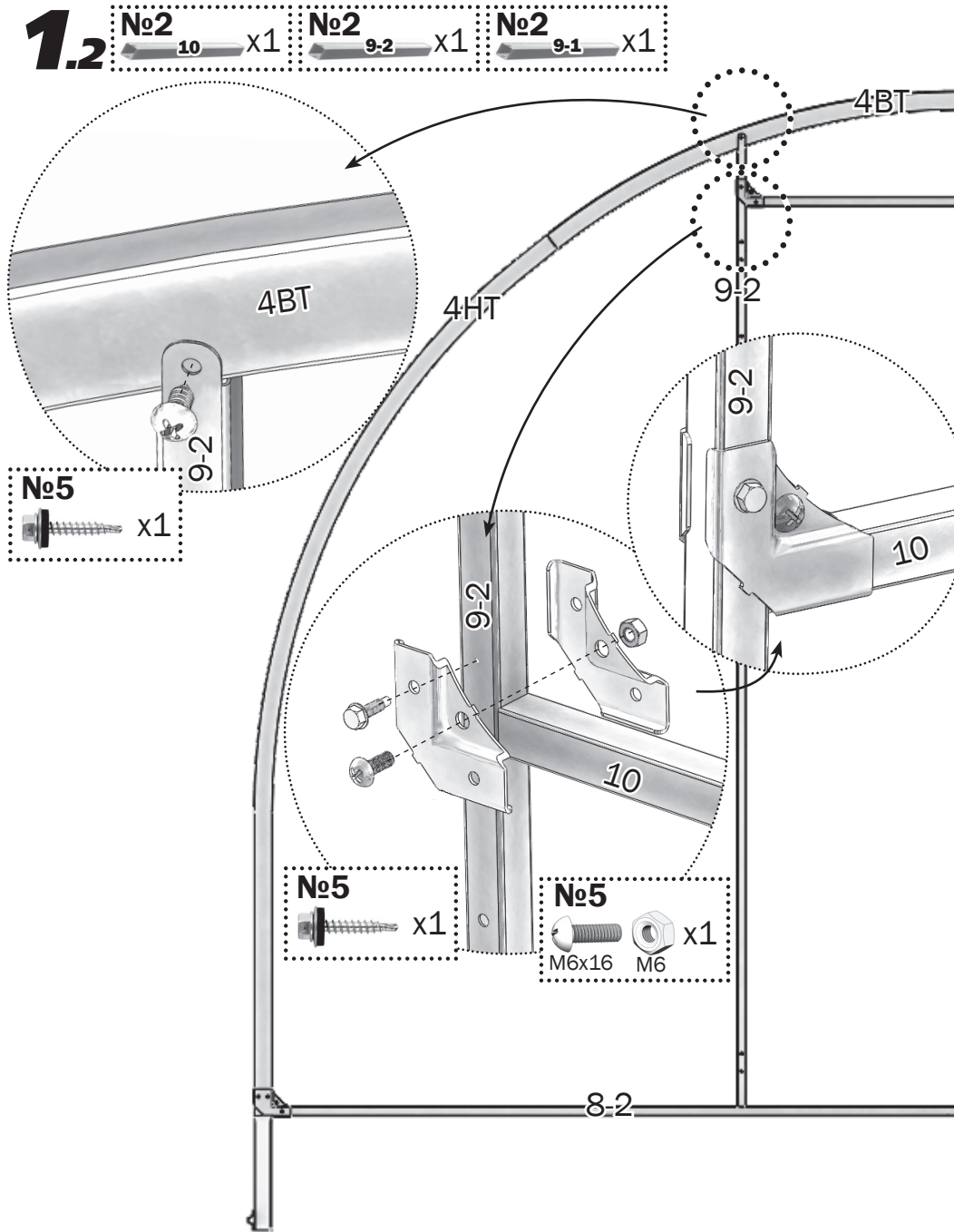


7.2

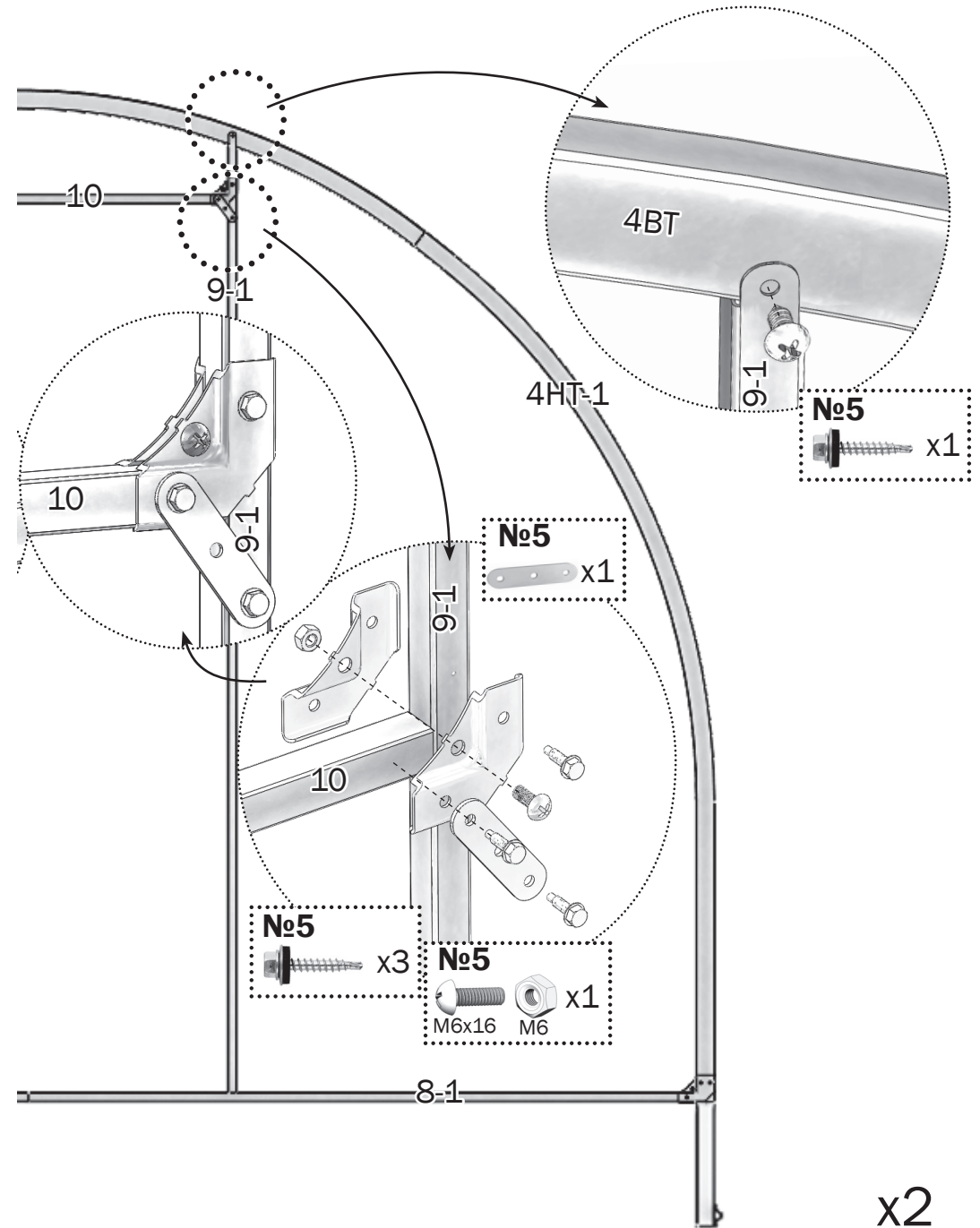
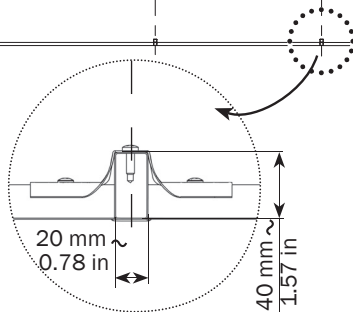
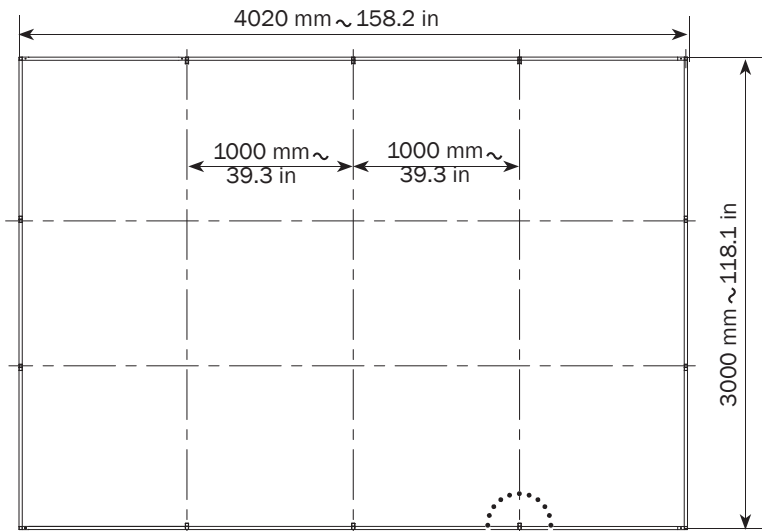
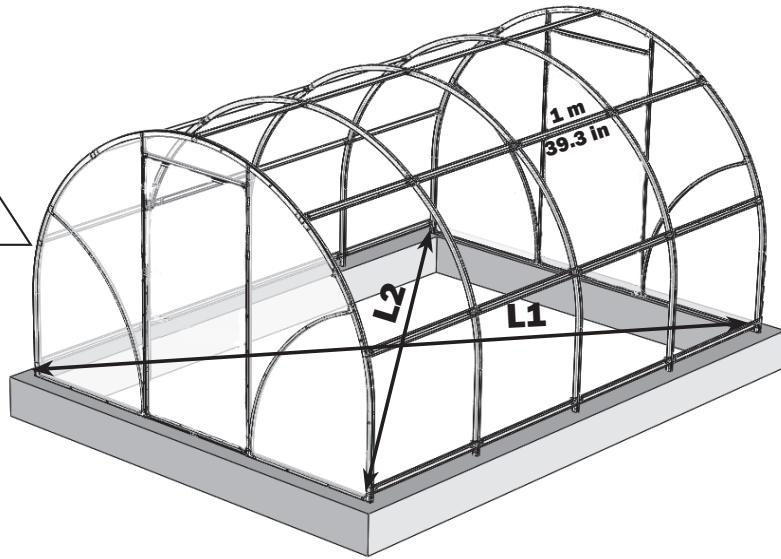


- No2 8-1 x1
- No2 8-2 x1





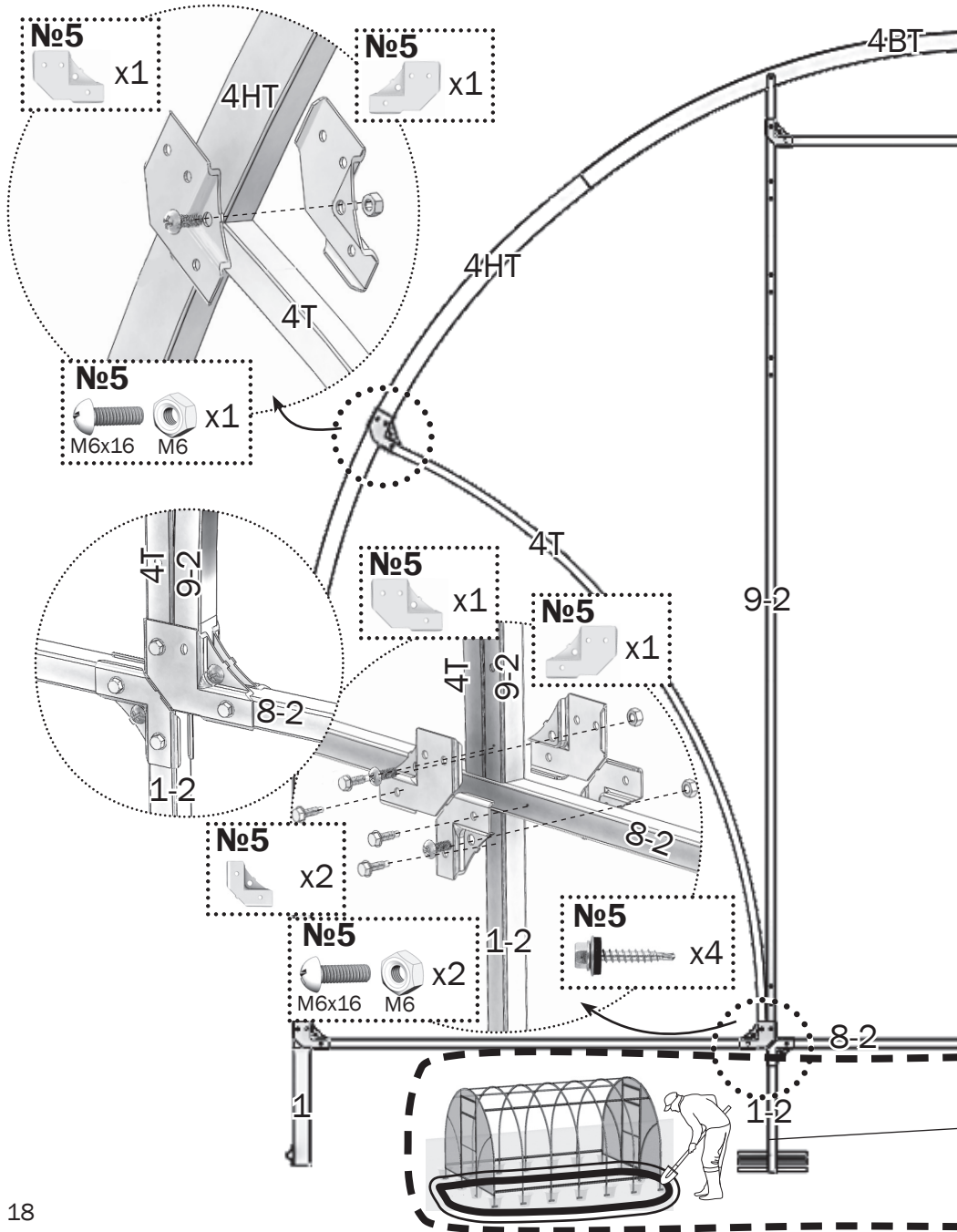
6.2



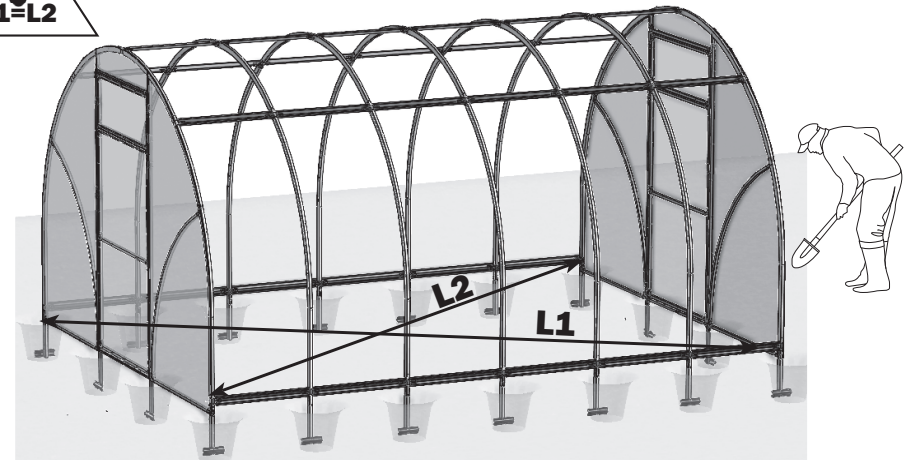
x2

1.3

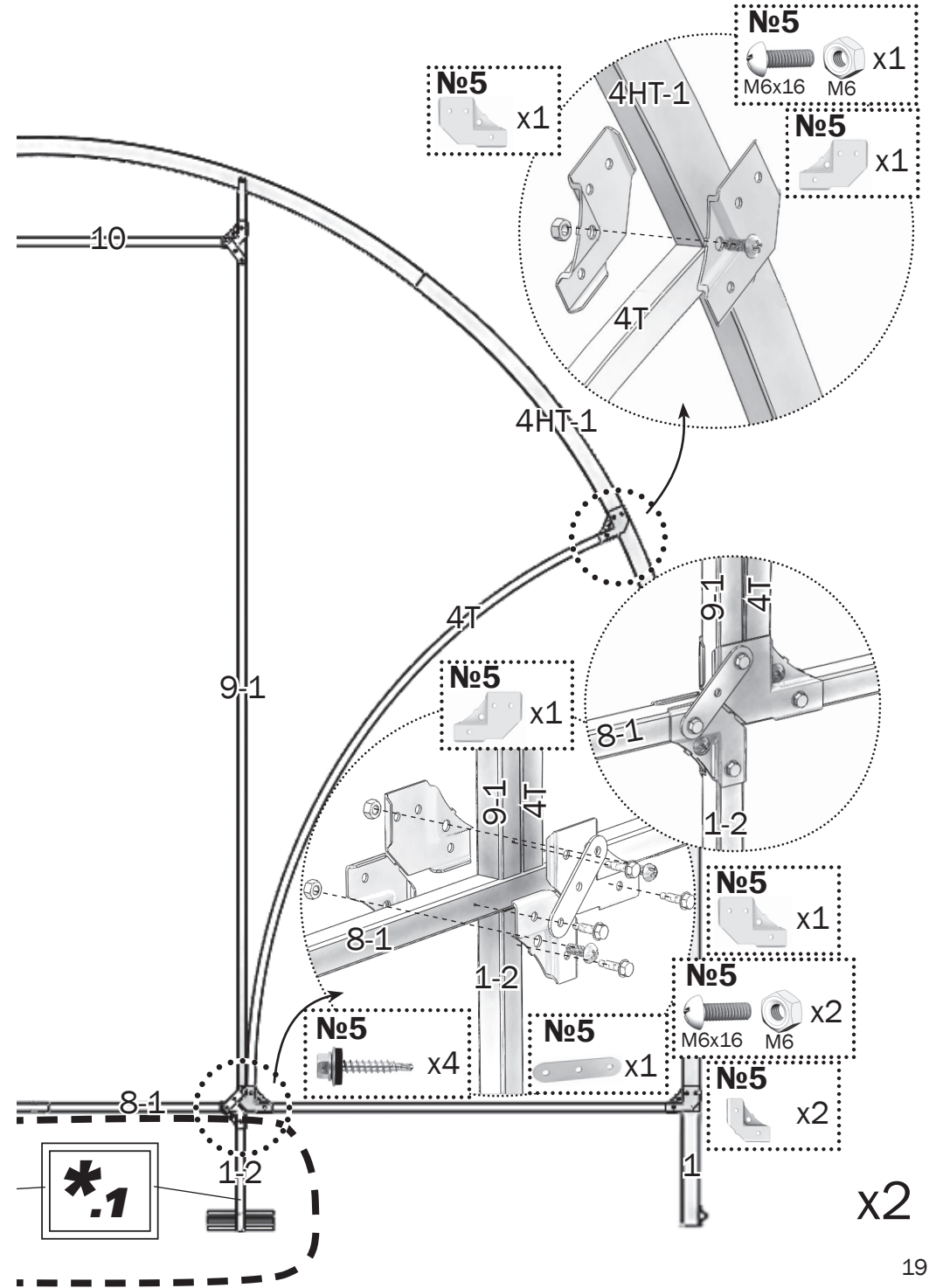
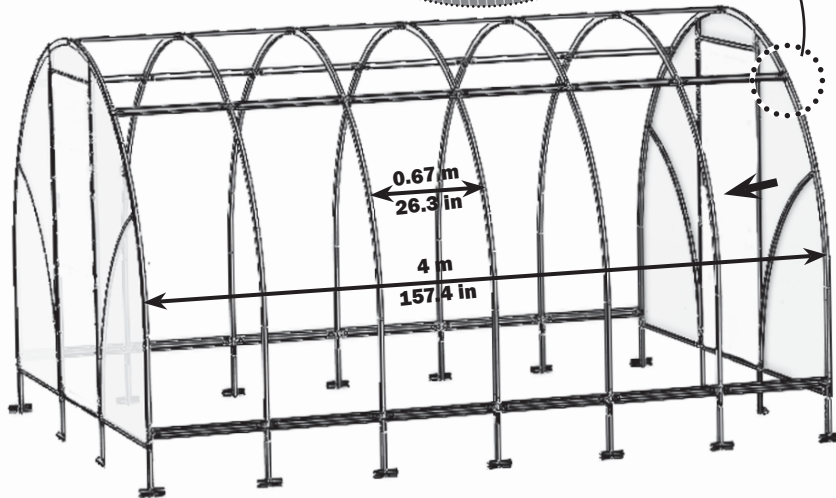
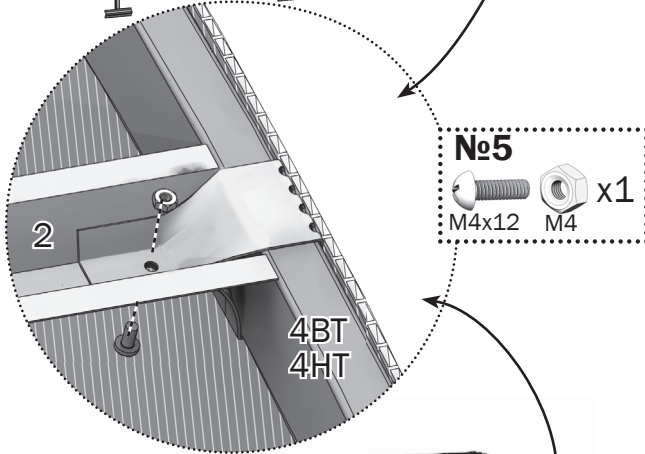
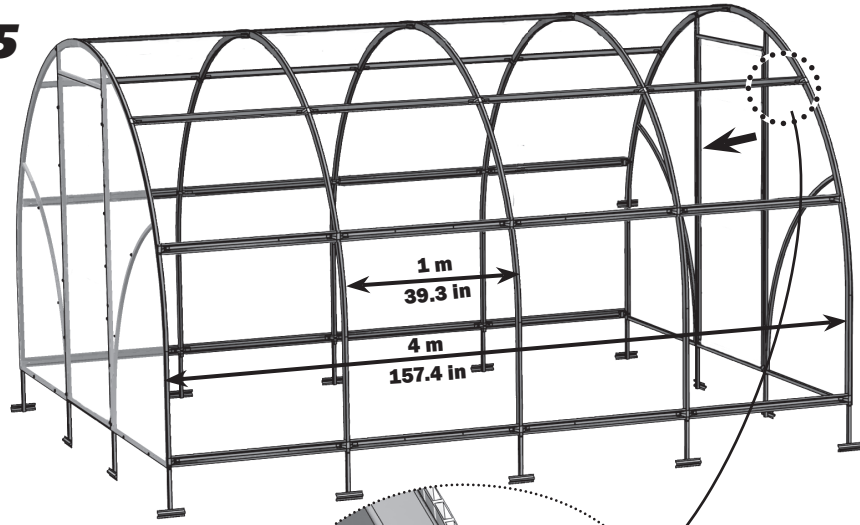
№3 4T x2



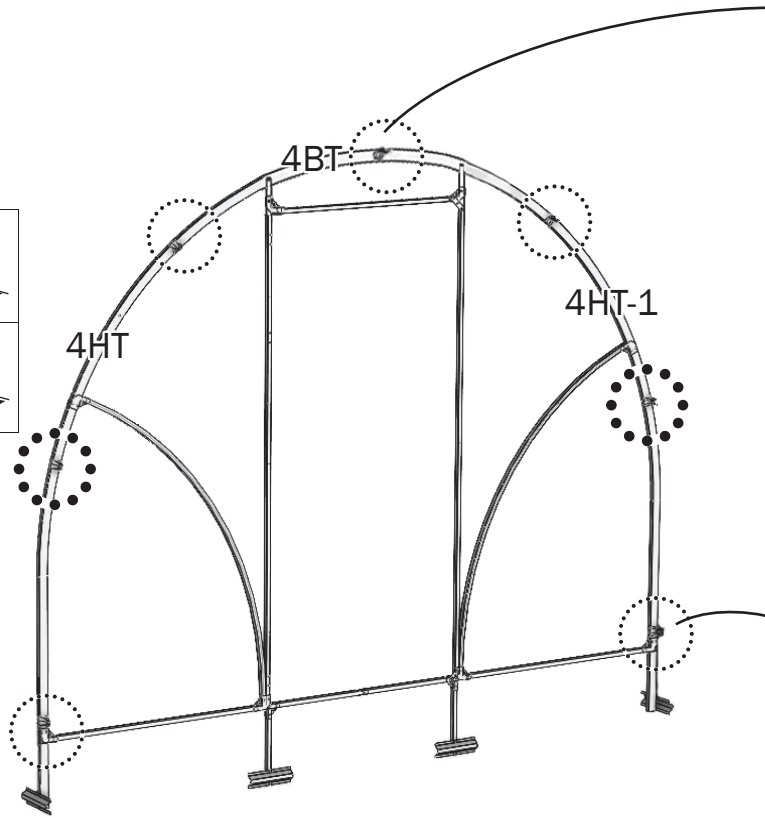
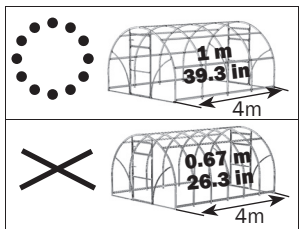
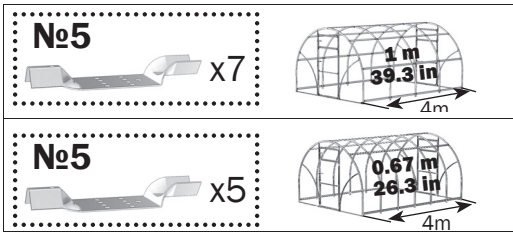
6.1



5.5

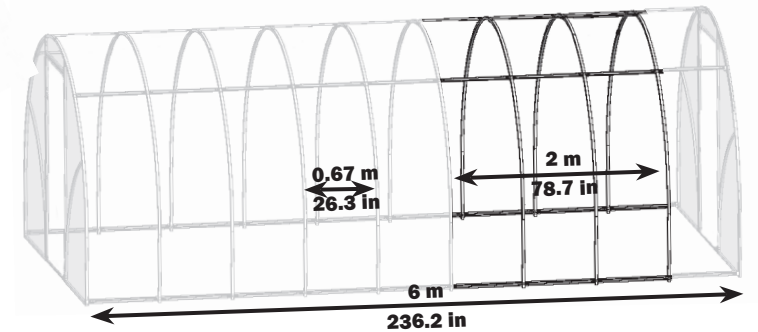
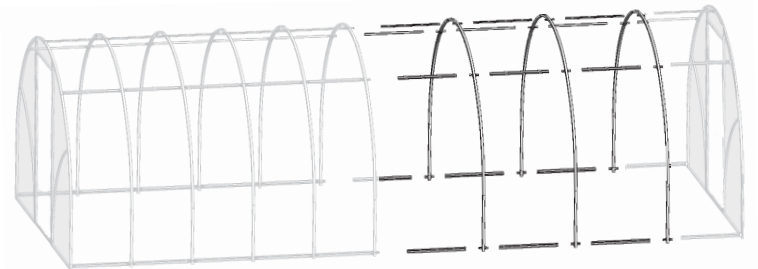
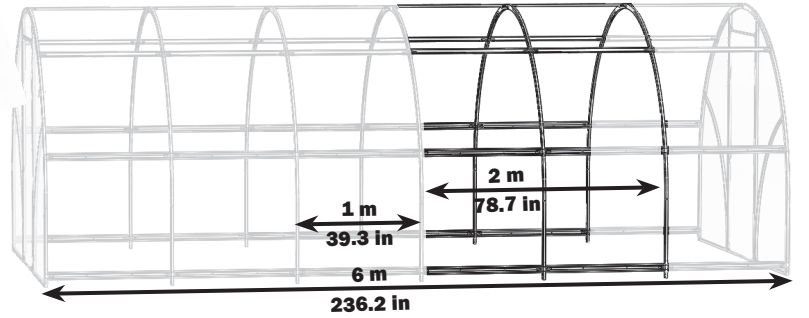


1.4

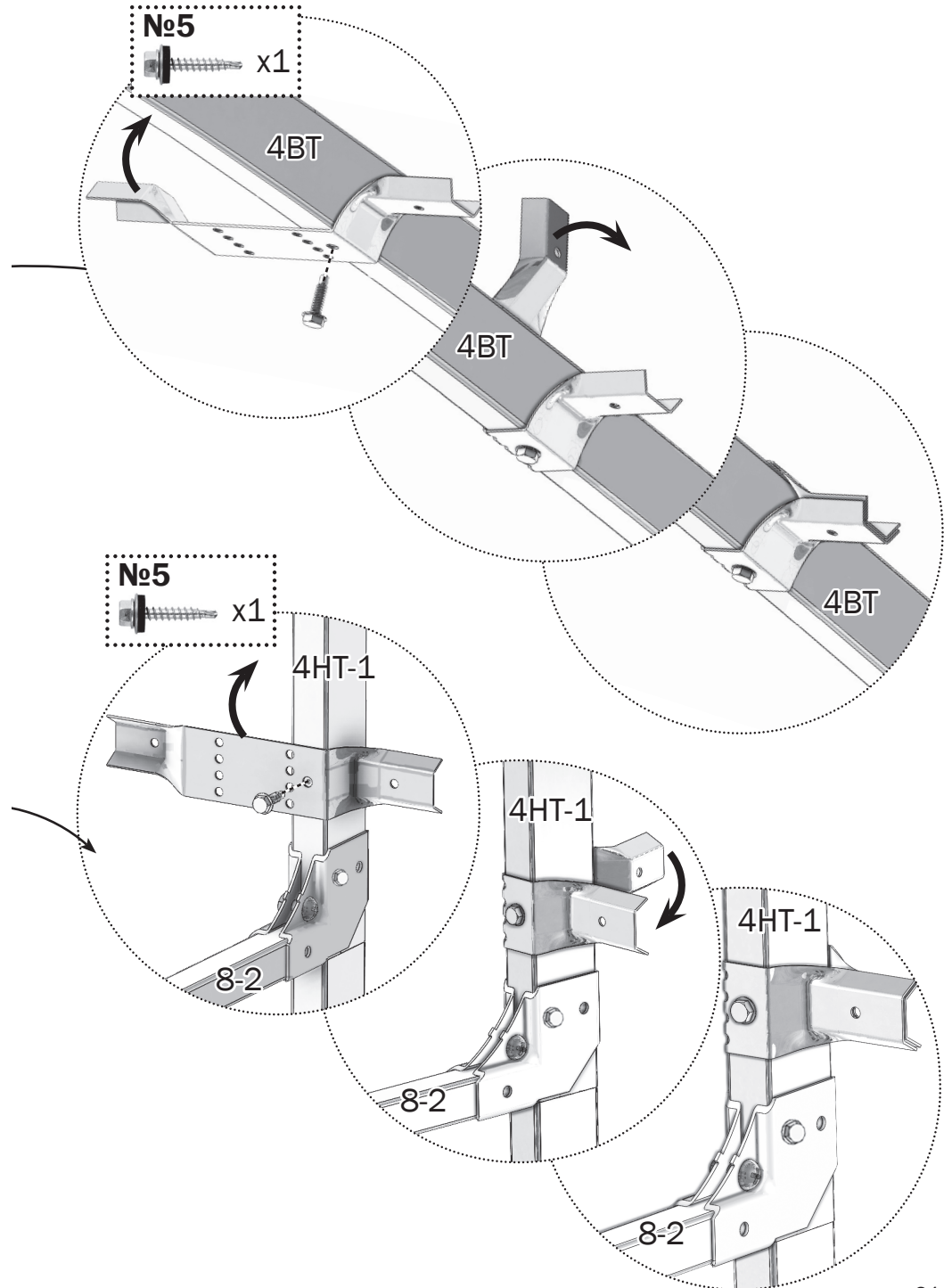
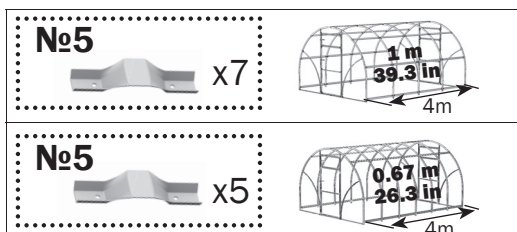
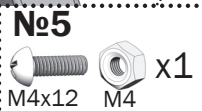
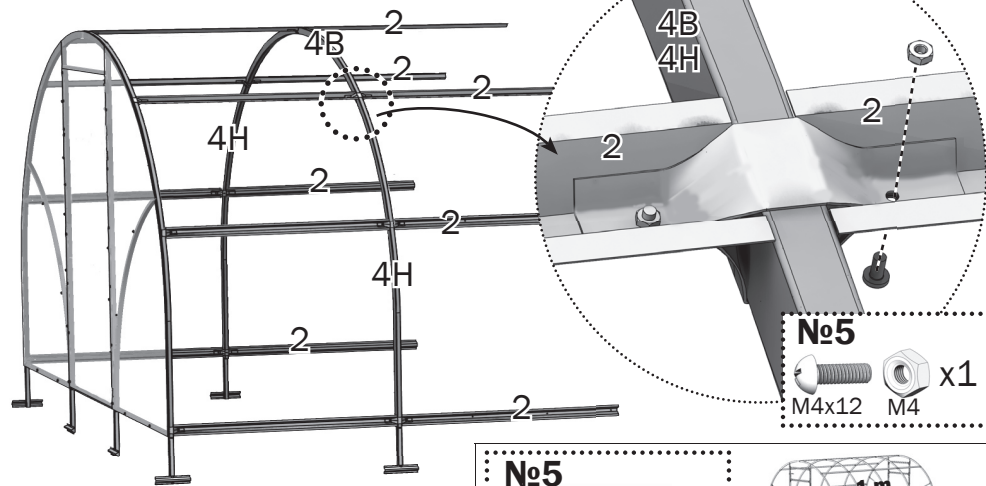
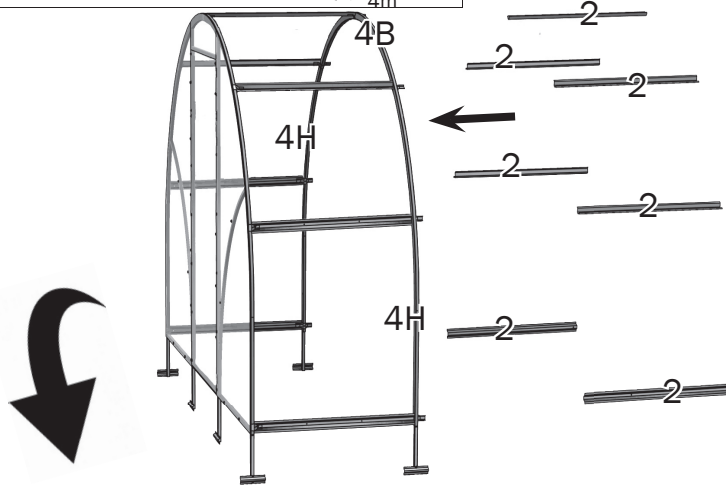
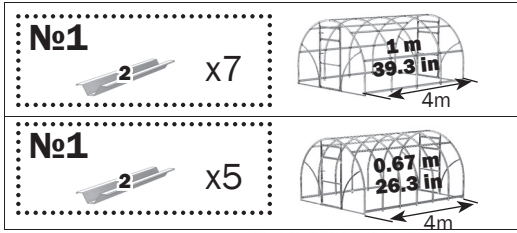


x2

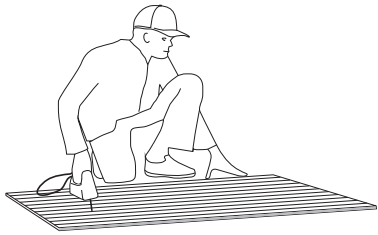
5.4




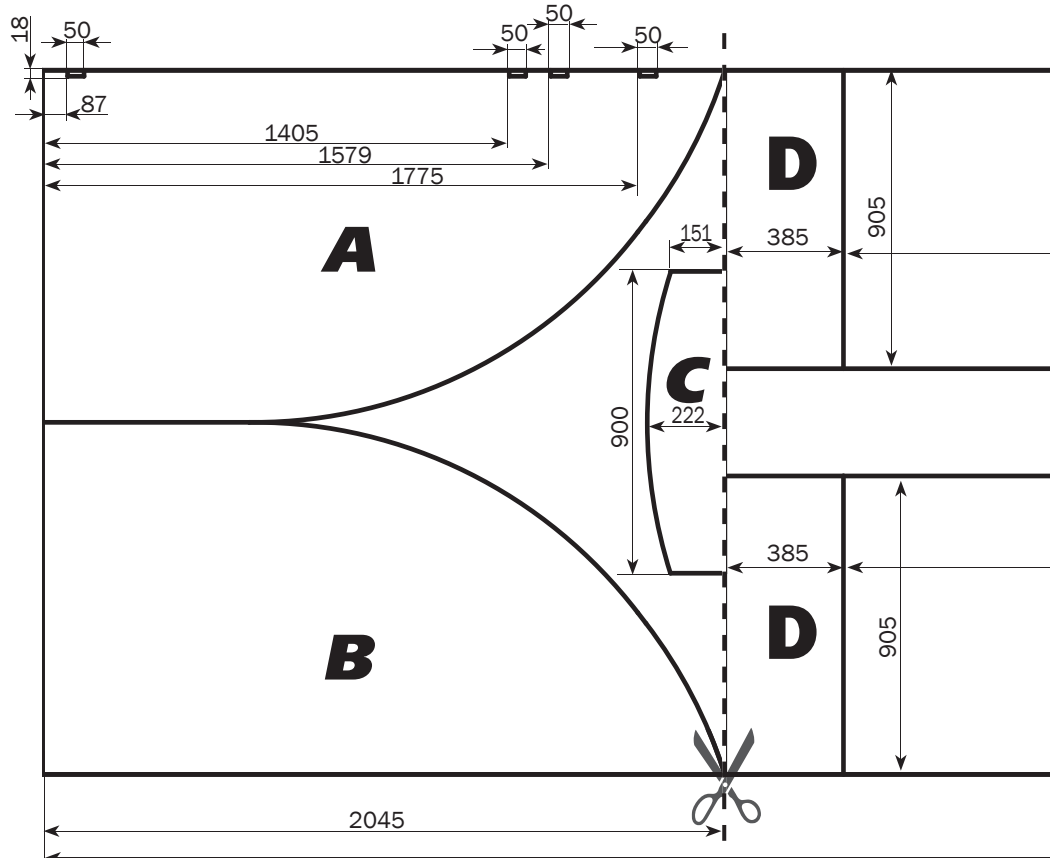
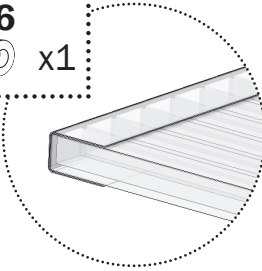
5.3



2

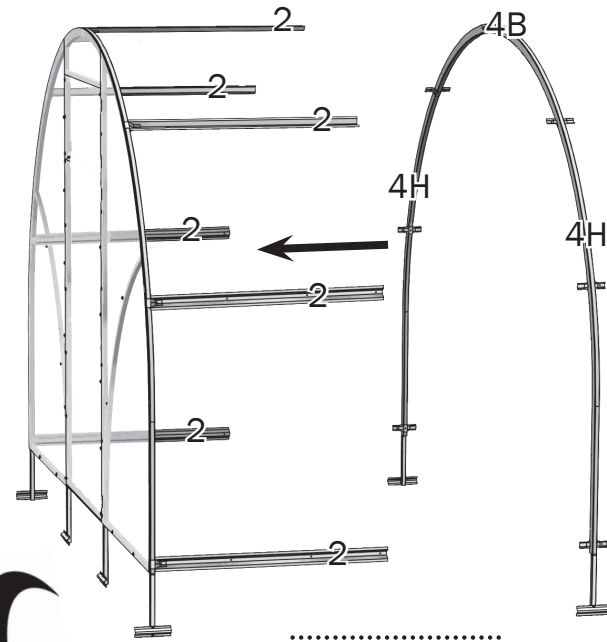



№6
 x1

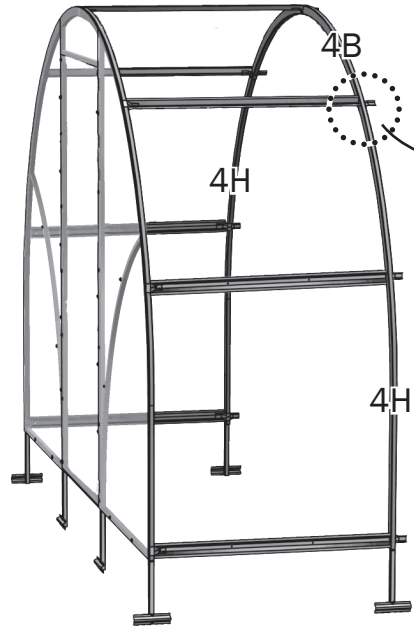
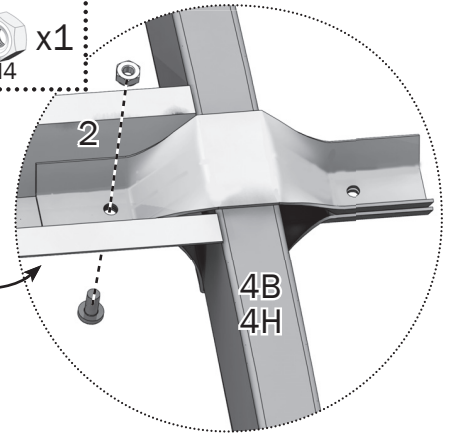


22

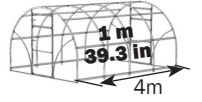
5.2




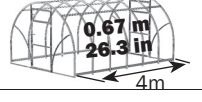
№5
 x1
 M4x12 M4



№5
 x7



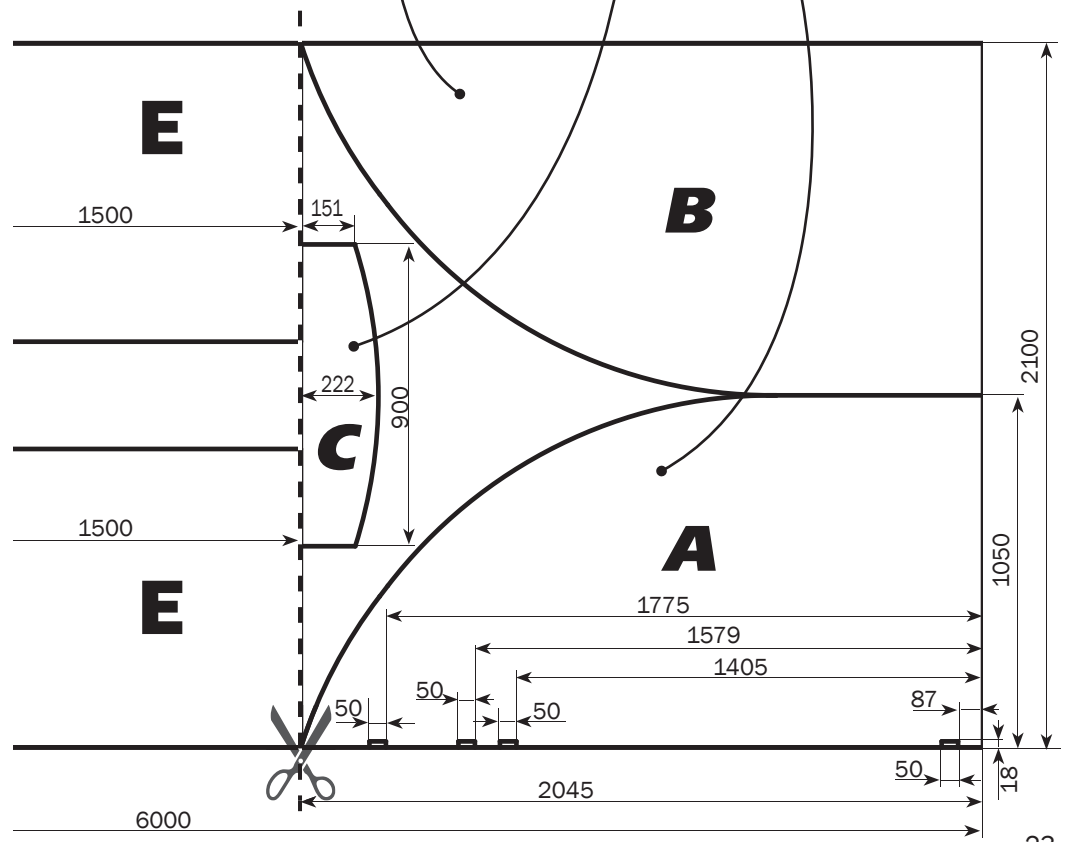
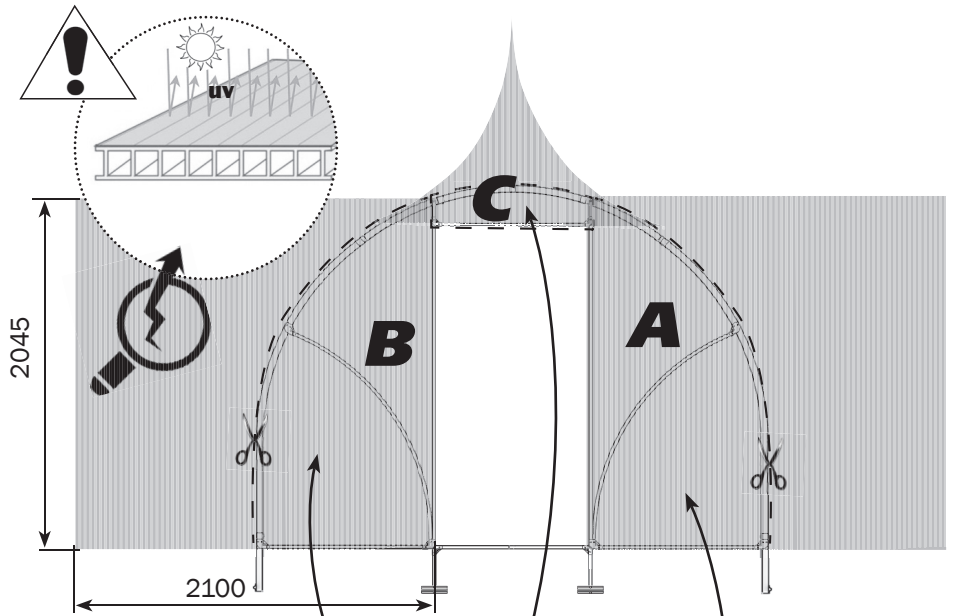
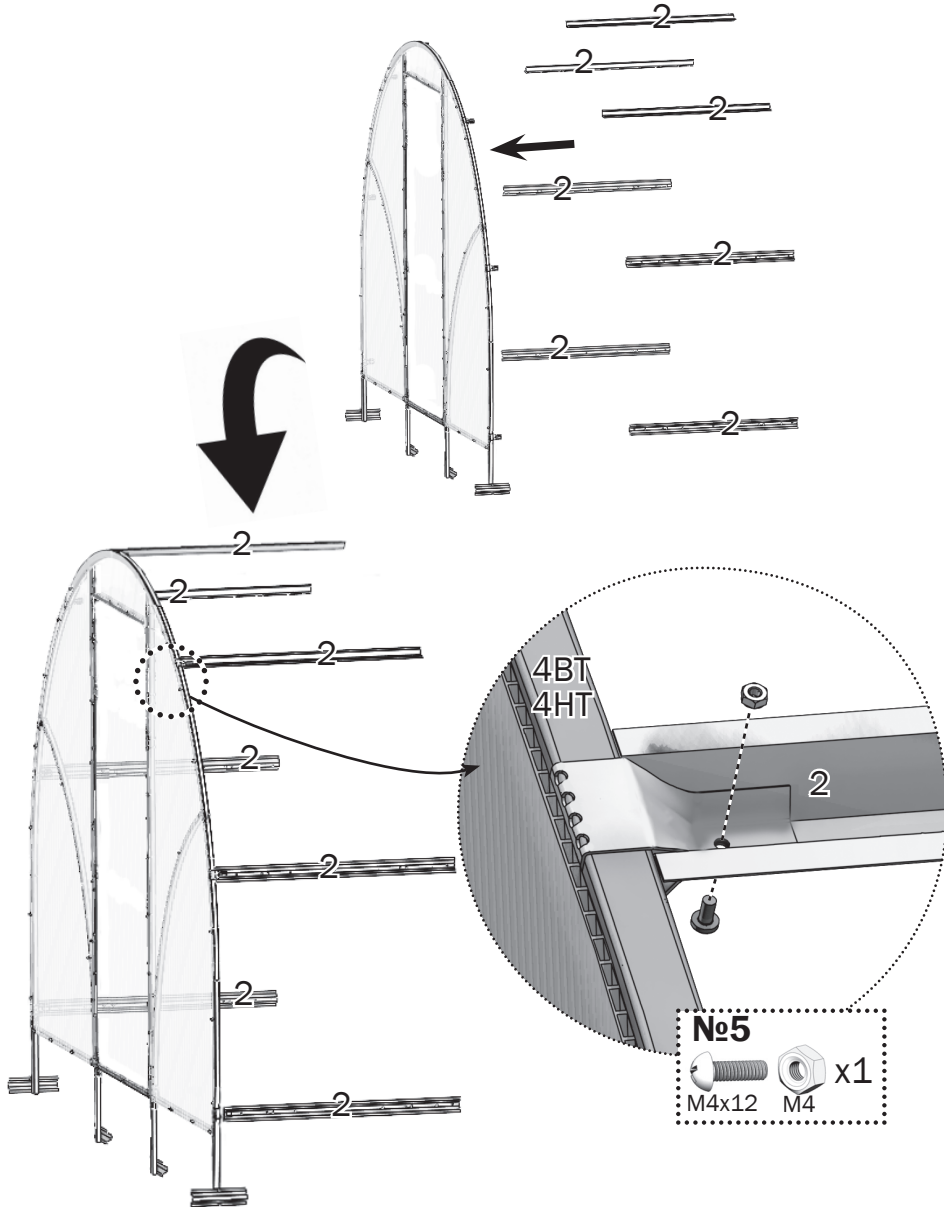
№5
 x5



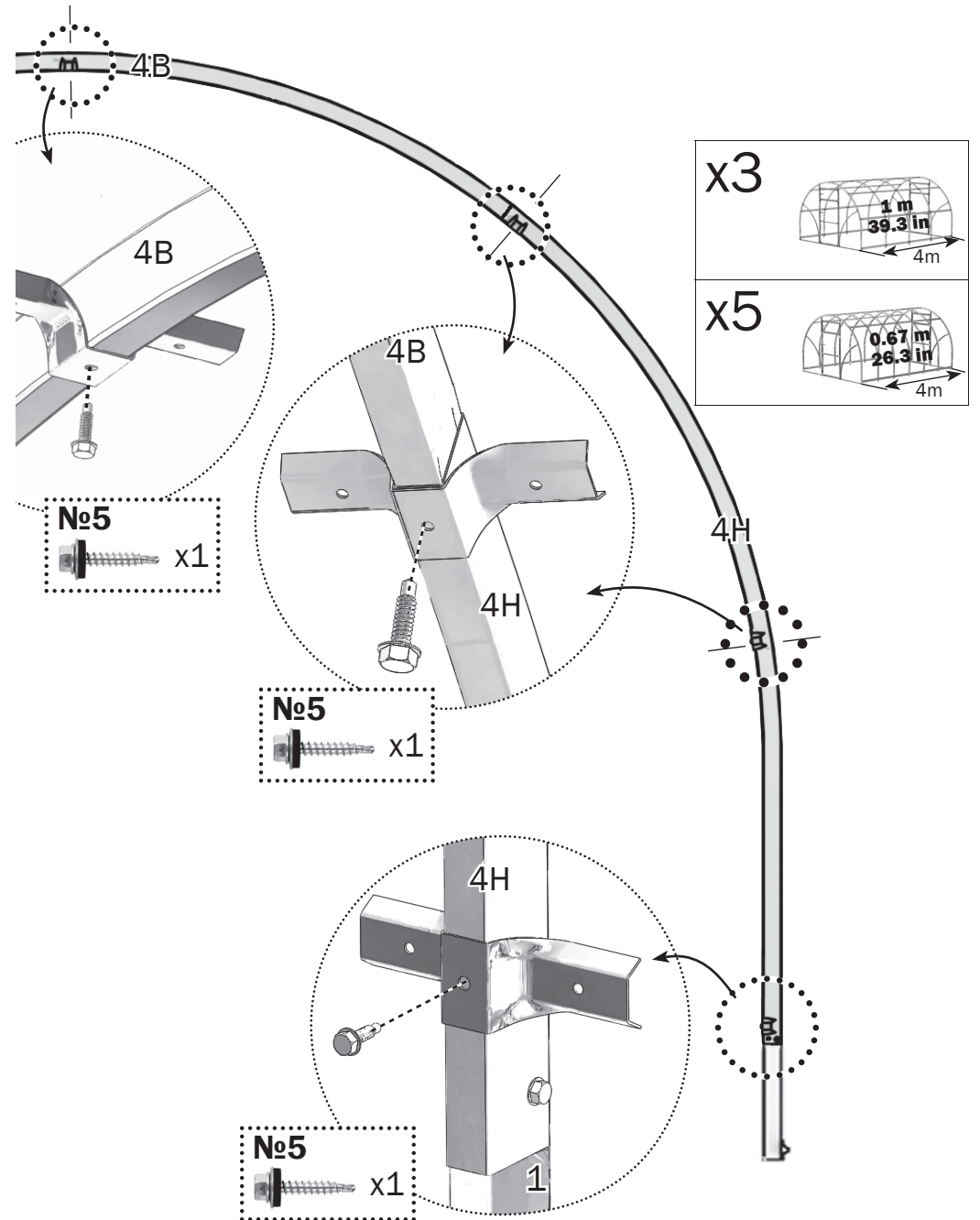
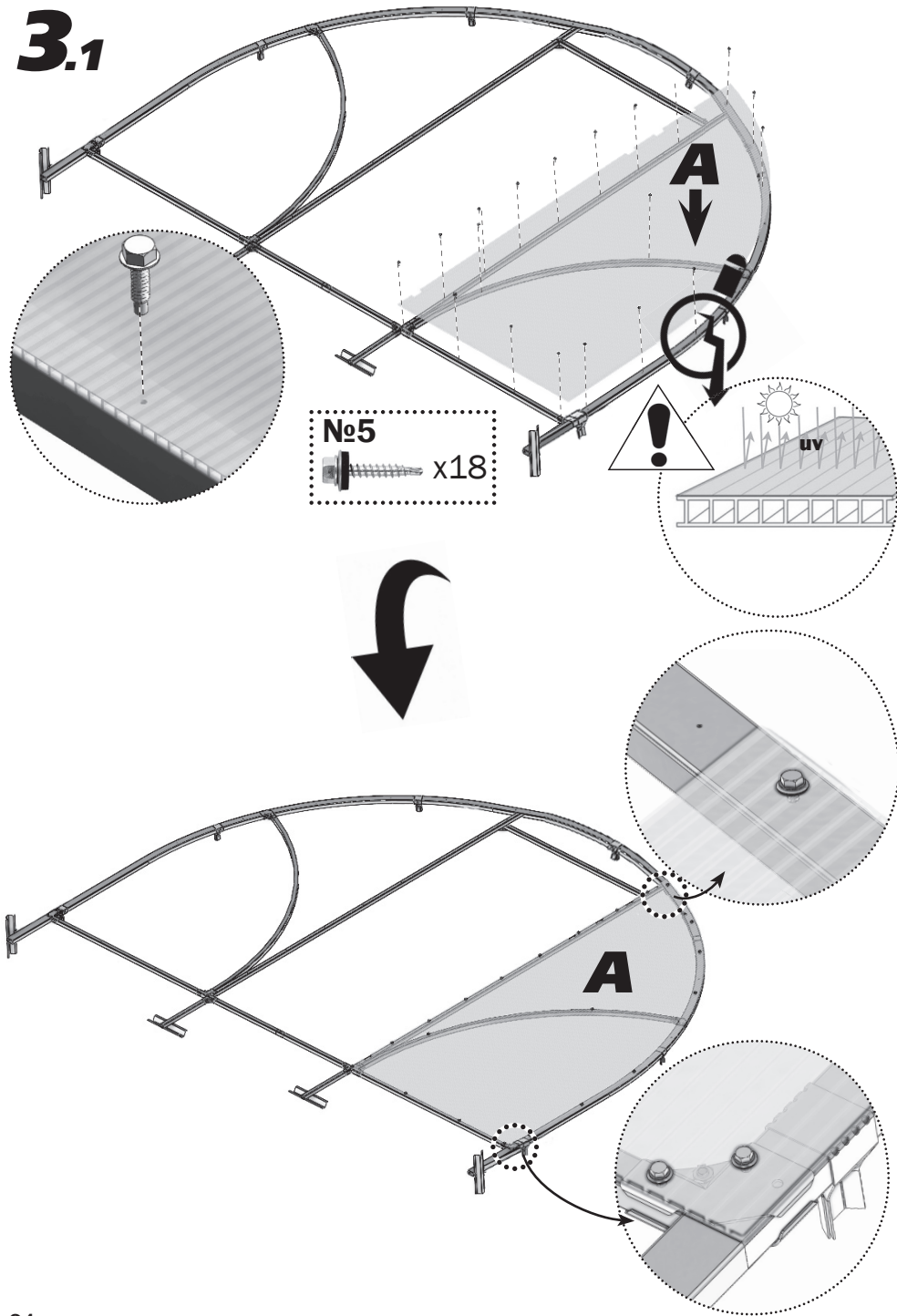
5.1

No1
 2 x7

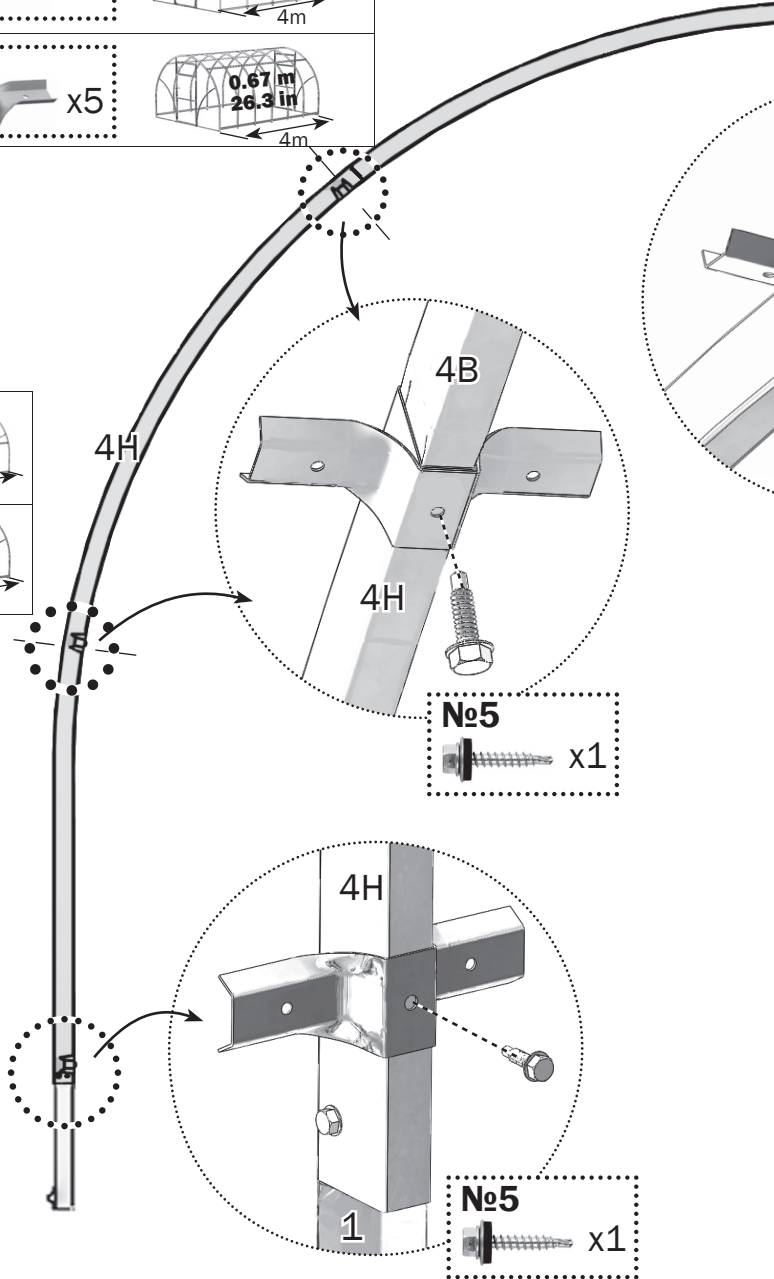
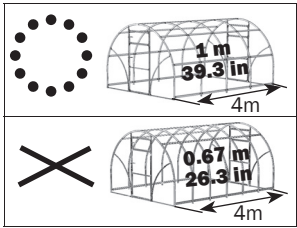
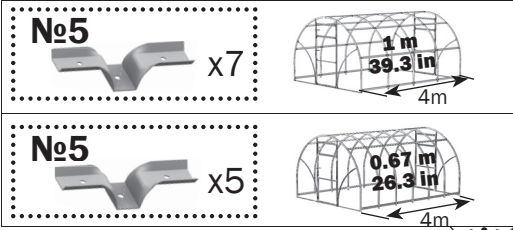
No1
 2 x5



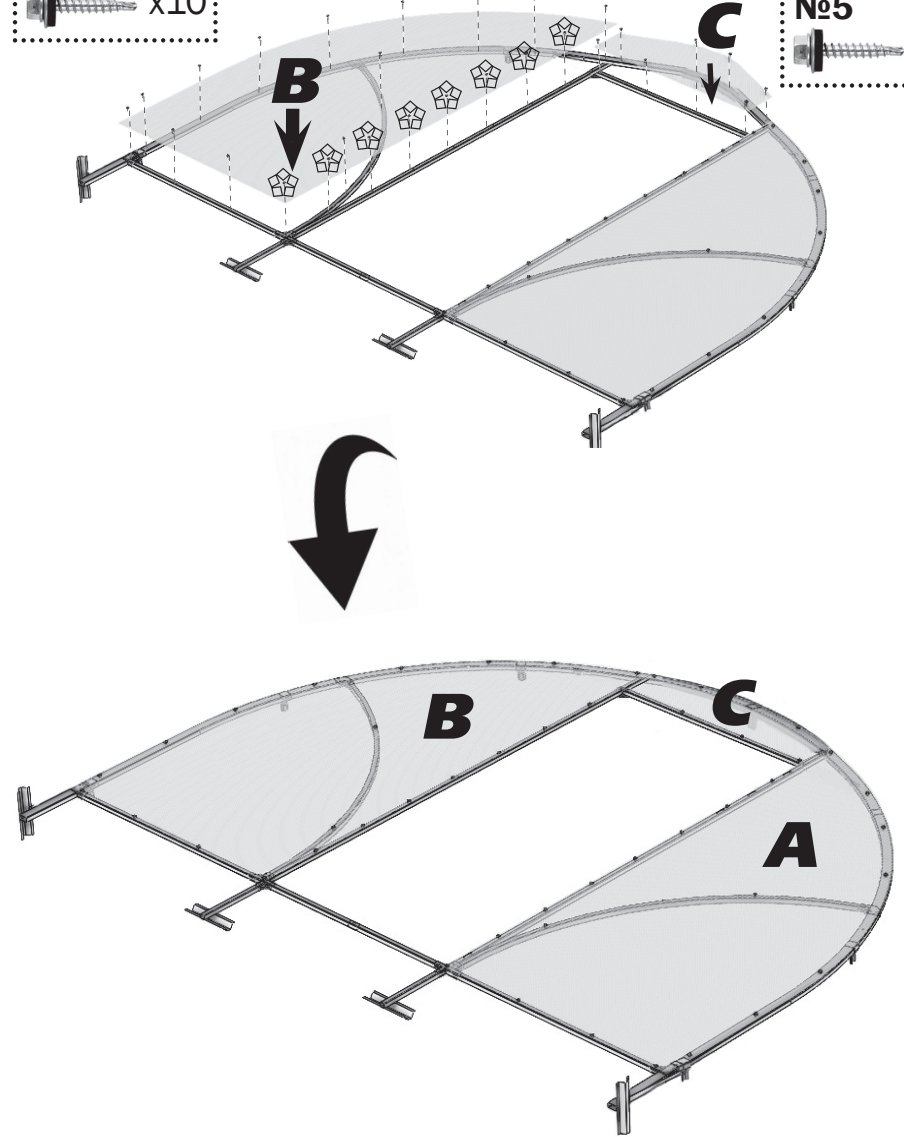
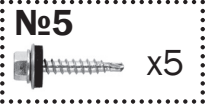
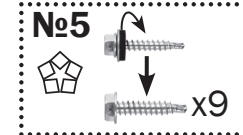
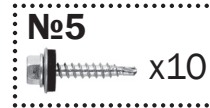
3.1



4.2



3.2



4.1

- No4 4B x1
- No4 4H x2

